



XC-Series

Cordless Hydraulic Pumps

Extreme
Performance

Cordless
Convenience



ENERPAC 

▼ Shown: XC-1201ME



- Lightweight design with integrated handle and carrying strap for portability
- Bladder reservoir prevents contamination and allows pump usage in any position
- Powerful 0,37 kW motor and 28 Volt Lithium-Ion battery deliver exceptional speed and run time
- High-strength fiberglass reinforced composite shroud for superior durability in demanding job site environments
- Cordless technology eliminates tripping hazards found in other powered pumps.



Performance of a Powered Pump

Portability of a Hand Pump



G2535L Gauge

Use gauge to check system pressure. Use gauge adaptor GA-3 for easy mounting.



Battery packs contain no cadmium, so they are environmentally friendly. Enerpac encourages recycling.



28-Volt Battery

The XC-28V with Lithium-Ion technology for maximum battery performance.



Battery Charger

1-hour quick charger.

Model Nr.	Voltage
XC-115VC	115 VAC
XC-230VC	230 VAC

◀ Power and simplicity for the toughest jobs.

Cordless Hydraulic Pumps



XC-Series Cordless Hydraulic Pumps

The XC-Series cordless pump is ideal for jobs using small to medium size cylinders and hydraulic tools, and is compatible with over 140 Enerpac tools and cylinders. These cordless pumps combine the performance of a powered pump with the portability of a hand pump making them a perfect solution for remote applications with limited or no access to a power supply or for locations where corded solutions present trip hazards.

The Lithium-Ion battery provides superior run time:

- 250 cuts of 10 mm reinforcing bar using a WHC-750 cutter
- >100 lifts with a WR-5 spreader up to maximum load
- 45 splits on M27 - 8.8 nuts using a NC-3241 nut cutter
- 30 times lifting with a RC-104 cylinder (10 ton, 100 mm stroke).

The XC-Series cordless pump is CSA and CE compliant.

NOTE: Actual number of cycles per charge will vary depending on condition of battery, tool and ambient conditions.



XC Series

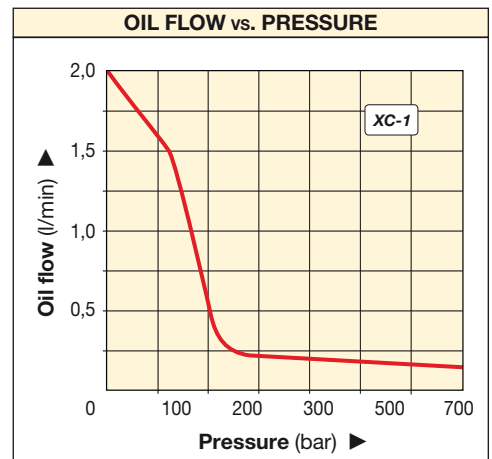
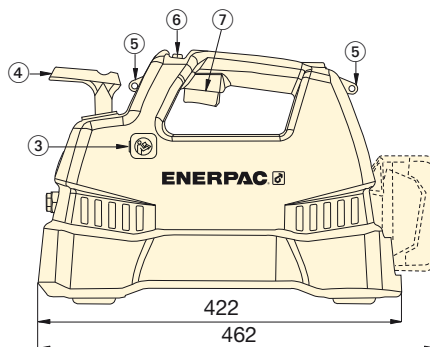
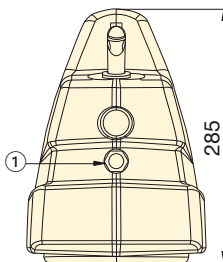
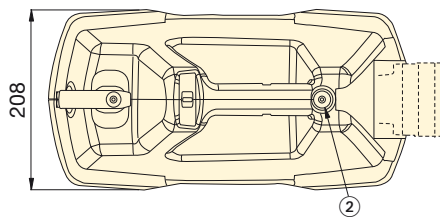


Reservoir Capacity:
1,0-2,0 litres

Flow at Rated Pressure:
0,25 l/min

Maximum Operating Pressure:
700 bar

- ① Outlet "Advance" Port 3/8"-18 NPTF
- ② Oil Fill (must use funnel)
- ③ User Adjustable Relief Valve Access Port
- ④ Directional Control Valve
- ⑤ Shoulder Strap Connection Points
- ⑥ Safety Lock Feature
- ⑦ On/Off Switch



▼ Take the battery pump anywhere without power cords or air hoses.



SELECTION CHART

Useable Oil Capacity (litres)	Model Number	Output Flow Rate (l/min)			Valve Function**	Charger Voltage (VAC)	Weight (kg)
		No Load	140 bar	700 bar			
1,0	XC-1201MB	2,0	0,50	0,25	3-way, 2-pos.	115	10
2,0	XC-1202MB	2,0	0,50	0,25			11
1,0	XC-1201ME	2,0	0,50	0,25	3-way, 2-pos.	230	10
2,0	XC-1202ME	2,0	0,50	0,25			11
1,0	XC-1201M*	2,0	0,50	0,25	3-way, 2-pos.	-	10
2,0	XC-1202M*	2,0	0,50	0,25			11

* Batteries and charger not included.

** For use with single-acting cylinders or tools.

Cordless Hydraulic Pump



Enerpac Worldwide Locations

The Industrial Tools Line

Cylinders

- General Purpose
- Pancake
- Aluminium Lightweight
- Low Height
- Heavy Duty
- Hollow Plunger
- Industrial
- Pull
- Long Stroke
- Jacks
- Spread

Pumps

- Manual
- Electric Driven
- Compressed Air Driven
- Petrol Driven

System Components

- Hoses, Couplers, Oil
- Gauges, Adaptors
- Manifolds, Fittings

Valves

- 3-and 4-Way Directional
- Pressure and Flow Control

Presses

- Bench and Workshop
- Roll Frame Presses
- Arbor and C-Clamps

Pullers

- Master Pullers Sets
- Multi Purpose Puller Sets
- Posi Lock® Pullers

Tools

- Maintenance Sets
- Punches
- Machine Lifts
- Load Skates
- Cutters
- Pipe Benders

Bolting Tools

- Nut Splitters
- Flange/Wedge Spreaders
- Flange Alignment Tools
- Torque Wrenches
- Hydraulic Wrench Pumps
- Twin Safety Hoses

Integrated Hydraulic Solutions

- Stage Lift Systems
- Synchronous Lifting Systems
- Synchronous Hoisting Systems

info@enerpac.com
www.enerpac.com

Australia and New Zealand

Actuant Australia Ltd.
Block V Unit 3, Regents Park Estate
391 Park Road,
Regents Park NSW 2143
(P.O. Box 261) Australia
T +61 297 438 988
F +61 297 438 648
sales-au@enerpac.com

Brazil

Power Packer do Brasil Ltda.
Rua dos Inocentes, 587
04764-050 - Sao Paulo (SP)
T +55 11 5687 2211
F +55 11 5686 5583
Toll Free: 0800 891 5770
vendabrasil@enerpac.com

Canada

Actuant Canada Corporation
6615 Ordan Drive, Unit 14-15
Mississauga, Ontario L5T 1X2
T +1 905 564 5749
F +1 905 564 0305
Toll Free:
T +1 800 268 4987
F +1 800 461 2456
customer.service@actuant.com

China (Taicang)

Actuant (China) Industries Co.Ltd.
No. 6 Nanjing East Road,
Taicang Economic Dep Zone
Jiangsu, China
T +86 0512 5328 7500
F +86 0512 5335 9690
Toll Free:
T +86 400 885 0369
sales-cn@enerpac.com

France, Switzerland, North Africa and French speaking African countries

ENERPAC
Une division d'ACTUANT France S.A.S.
ZA de Courtaboëuf
32, avenue de la Baïtque
91140 VILLEBON /VYETTE
France
T +33 1 60 13 68 68
F +33 1 69 20 37 50
sales-fr@enerpac.com

Germany and Austria

ENERPAC GmbH
P.O. Box 300113
D-40401 Düsseldorf
Willstätterstrasse 13
D-40549 Düsseldorf
Germany
T +49 211 471 490
F +49 211 471 49 28
sales-de@enerpac.com

India

ENERPAC Hydraulics Pvt. Ltd.
No. 10, Bellary Road
Sadashivanagar
Bangalore, 560 080, India
T +91 80 3928 9000
F +91 80 4079 2792
sales-in@enerpac.com

Italy

ENERPAC S.p.A.
Via Canova 4
20094 Corsico (Milano)
T +39 02 4861 111
F +39 02 4860 1288
sales-it@enerpac.com

Japan

Applied Power Japan LTD KK
Besshocho 85-7
Kita-ku, Saitama-shi 331-0821, Japan
T +81 48 662 4911
F +81 48 662 4955
sales-jp@enerpac.com

Middle East, Egypt and Libya

ENERPAC Middle East FZE
Office 423, LOB 15
P.O. Box 18004, Jebel Ali, Dubai
United Arab Emirates
T +971 (0)4 8872686
F +971 (0)4 8872687
sales-ua@enerpac.com

Russia

Rep. office Enerpac
Russian Federation
Admiral Makarova Street 8
125212 Moscow, Russia
T +7 495 98090 91
F +7 495 98090 92
sales-ru@enerpac.com

Southeast Asia, Hong Kong and Taiwan

Actuant Asia Pte Ltd.
83 Joo Koon Circle, Singapore 629109
T +65 68 63 0611
F +65 64 84 5669
Toll Free:
T +1800 363 7722
sales-sg@enerpac.com

South Korea

Actuant Korea Ltd.
3Ba 717, Shihwa Industrial Complex
Jungwang-Dong, Shihung-Shi,
Kyunggi-Do
Republic of Korea 429-450
T +82 31 434 4506
F +82 31 434 4507
sales-kr@enerpac.com

Spain and Portugal

ENERPAC SPAIN, S.L.
Avda. Los Frailes, 40 – Nave C & D
Pol. Ind. Los Frailes
28814 Daganzo de Arriba
(Madrid) Spain
T +34 91 884 86 06
F +34 91 884 86 11
sales-es@enerpac.com

Sweden, Denmark, Norway, Finland and Iceland

ENERPAC Scandinavia AB
Fabriksgatan 7
412 50 Gothenburg, Sweden
T +46 (0) 31 799 0281
F +46 (0) 31 799 0010
scandinavianinquiries@enerpac.com

The Netherlands, Belgium, Luxembourg, Central and Eastern Europe, Baltic States, Greece, Turkey and CIS countries

ENERPAC B.V.
Galvanistraat 115, 6716 AE Ede
P.O. Box 8097, 6710 AB Ede
The Netherlands
T +31 318 535 911
F +31 318 535 848
sales-nl@enerpac.com

South Africa and other English speaking African countries

ENERPAC AFRICA (PTY) Ltd.
Cambridge Office Park, Block E
5 Bauhinia Avenue
Highveld Techno Park, Centurion
Republic of South-Africa
T 0027 (0) 12 940 0656
sales-za@enerpac.com

United Kingdom and Ireland

ENERPAC Ltd.,
Bentley Road South
Darlaston, West Midlands
WS10 8LQ
England
T +44 (0)121 50 50 787
F +44 (0)121 50 50 799
sales-uk@enerpac.com

USA, Latin America and Caribbean

ENERPAC World Headquarters
P.O. Box 3241
Milwaukee, WI 53201-3241 USA
N86 W12500 Westbrook Crossing
Menomonee Falls, Wisconsin 53051
T +1 262 293 1600
F +1 262 293 7036
User inquiries:
+1 800 433 2766
Distributor inquiries/orders:
+1 800 558 0530
+1 800 628 0490
Technical inquiries:
techservices@enerpac.com
sales-us@enerpac.com

Your Enerpac Distributor: