


# + GEM

## 2-WAY HIGH PRESSURE BALL VALVES




### CARBON STEEL

- Type: ball valve GEM 2 way 
- Body: round
- Material: 1,0737
- Ball seats: from DN4 up to DN6
- O-Rings: NBR, FKM, EPDM, MVQ
- Operating pressure: 500 Bar depending on valve size and seal materials selected
- Temp range: -20°C to +100°C depending on seal material selected

GEM	G 1/4		DN6		1	1	1	1	A	B		
Type and way of valve	GAS	NPT	SAE	DIN 2353 HEAVY SERIES	DIN 2353 LIGHT SERIES	Nominal dimension	Body material	Adapter material	Stem material	Ball material	Ball seat material	Adapter and stem seal material
GEM 2-way	228 BSP	B1.20.1	J1926-1	8S 10S	6L 8L	DN6	1 1,0737	1 1,0737	1 1,0737	1 1,0737	A POM D PEEK G PA612 K GEMPTFE C PTFE	B NBR E FKM F EPDM L MVQ

### STAINLESS STEEL

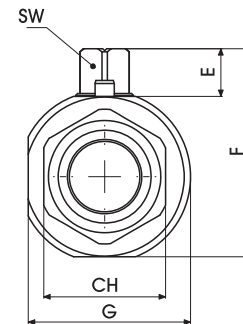
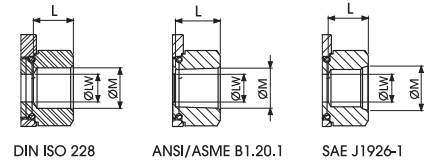
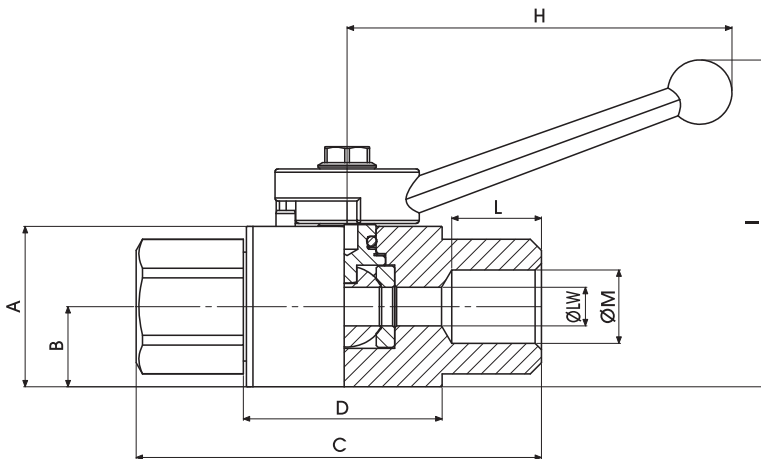
- Type: ball valve GEM 2 way 
- Body: round
- Material: 1,4305
- Ball seats: from DN4 up to DN6
- O-Rings: NBR, FKM, EPDM, MVQ
- Operating pressure: 500 Bar depending on valve size and seal materials selected
- Temp range: -60°C to +230°C depending on seal material selected

GEM	G 1/4		DN6		3	3	3	3	A	B		
Type and way of valve	GAS	NPT	SAE	DIN 2353 HEAVY SERIES	DIN 2353 LIGHT SERIES	Nominal dimension	Body material	Adapter material	Stem material	Ball material	Ball seat material	Adapter and stem seal material
GEM 2-way	228 BSP	B1.20.1	J1926-1	8S 10S	6L 8L	DN6	3 1,4305	3 1,4305	3 1,4305	3 1,4305	A POM D PEEK G PA612 K GEMPTFE C PTFE	B NBR E FKM F EPDM L MVQ



# + GEM 2-WAY HIGH PRESSURE BALL VALVES

Specialist in Ball Valves



## GEM DIN/ISO 228 BSP

Standard

TYPE	PN	DN	A	B	C	D	E	F	G	H	I	L	ØM	CH	SW	ØLW	KG	CARBON STEEL	STAINLESS STEEL
																		ITEM CODE	ITEM CODE
GEM G 1/4	50 MPa	6	25	12,5	63	31,5	7	32,5	26,8	60	51	14	G 1/4	19	6	6	0,195	G12GGT15011A000	G12GGT15033A000

## GEM ANSI/ASME B1.20.1 NPT

Standard

TYPE	PN	DN	A	B	C	D	E	F	G	H	I	L	ØM	CH	SW	ØLW	KG	CARBON STEEL	STAINLESS STEEL
																		ITEM CODE	ITEM CODE
GEM N 1/4	50 MPa	6	25	12,5	63	31,5	7	32,5	26,8	60	51	14	N 1/4	19	6	6	0,195	G12NNT15011A000	G12NNT15033A000

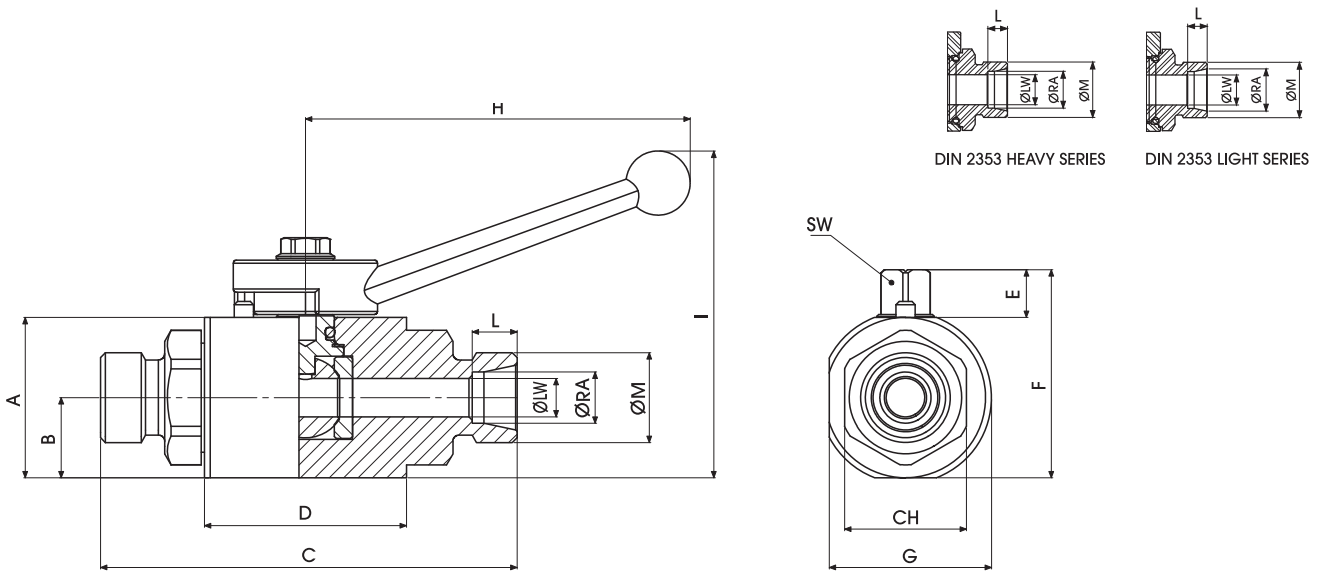
## GEM SAE J1926-1

Standard

TYPE	PN	DN	A	B	C	D	E	F	G	H	I	L	ØM	CH	SW	ØLW	KG	CARBON STEEL	STAINLESS STEEL
																		ITEM CODE	ITEM CODE
GEM SAE4	50 MPa	6	25	12,5	63	31,5	7	32,5	26,8	60	51	14	7/16-20 UNF	19	6	6	0,195	G12EEE05011A000	G12EEE05033A000

# + GEM 2-WAY HIGH PRESSURE BALL VALVES

www.gemels.it



## GEM DIN 2353 HEAVY SERIES

Standard

TYPE	PN	DN	A	B	C	D	E	F	G	H	I	L	ØM	CH	SW	ØLW	ØRA	KG	CARBON STEEL	STAINLESS STEEL
																			ITEM CODE	ITEM CODE
GEM 8S	50 MPa	6	25	12,5	65	31,5	7	32,5	26,8	60	51	7	16X1.5	19	6	6	8	0,195	G12DDS05011A000	G12DDS05033A000
GEM 10S	50 MPa	6	25	12,5	65	31,5	7	32,5	26,8	60	51	7	18X1.5	19	6	6	10	0,195	G12DDS15011A000	G12DDS15033A000

## GEM DIN 2353 LIGHT SERIES

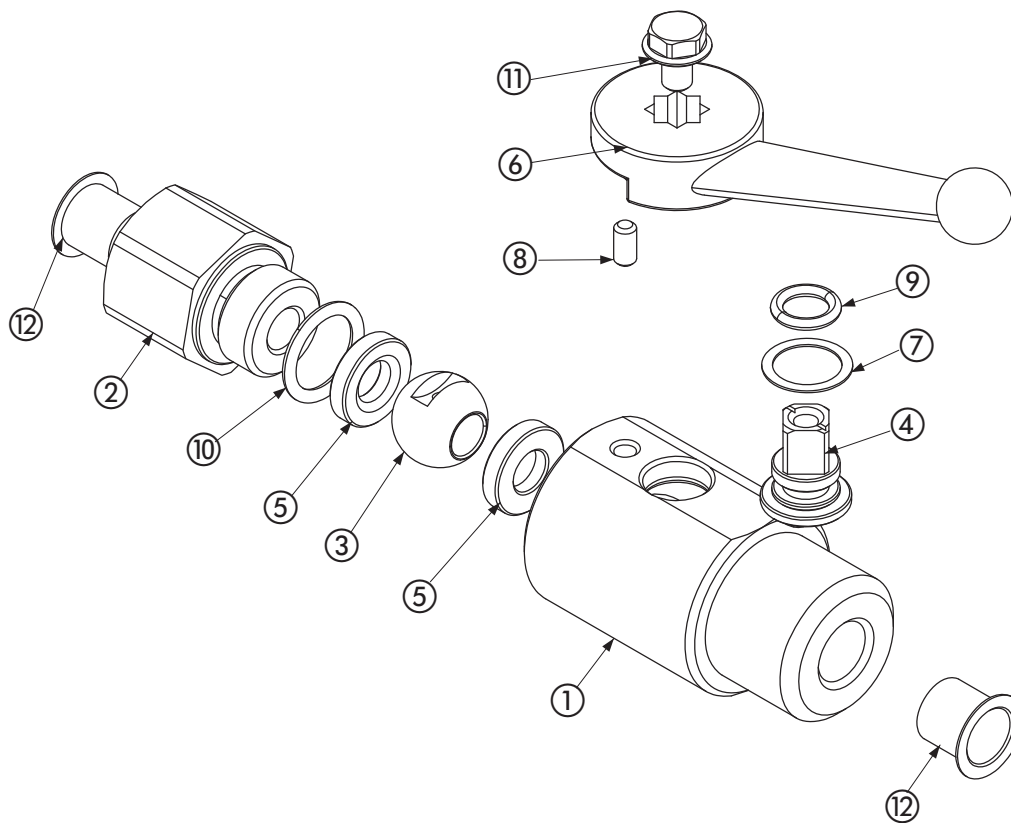
Standard

TYPE	PN	DN	A	B	C	D	E	F	G	H	I	L	ØM	CH	SW	ØLW	ØRA	KG	CARBON STEEL	STAINLESS STEEL
																			ITEM CODE	ITEM CODE
GEM 6L	50 MPa	6	25	12,5	65	31,5	7	32,5	26,8	60	51	7	M12X1.5	19	6	6	6	0,185	G12DDL05011A000	G12DDL05033A000
GEM 8L	50 MPa	6	25	12,5	65	31,5	7	32,5	26,8	60	51	7	M14X 1.5	19	6	6	8	0,185	G12DDL15011A000	G12DDL15033A000

# + GEM 2-WAY HIGH PRESSURE BALL VALVES

www.gemels.it

2015 - Edition 3



Carbon steel			
Pos	Description	Material	Q.tà
1	Body	1,0737	1
2	Adapter	1,0737	1
3	Ball	1,0737	1
4	Stem	1,0737	1
5	Ball seat	POM	2
6	Handle	ZINC	1
7	Stem ring	POM	1
8	Spine	1,0737	1
9	Stem o-ring	NBR	1
10	Adapter o-ring	NBR	2
11	Screw	DIN 6921 8.8	1
12	Caps	PVC	2

Stainless steel			
Pos	Description	Material	Q.tà
1	Body	1,4305	1
2	Adapter	1,4305	1
3	Ball	1,4404	1
4	Stem	1,4305	1
5	Ball seat	POM	2
6	Handle	ZINC	1
7	Stem ring	POM	1
8	Spine	1,4301	1
9	Stem o-ring	NBR	1
10	Adapter o-ring	NBR	2
11	Screw	DIN 6921 A2	1
12	Caps	PVC	2

For further special requests please consult our technical/commercial service

- On request**
- Reduced bore
  - O-Ring in FKM, EPDM, HNBR, KALREZ
  - Seals in PTFE, PEEK, PA612, GEMPTFE, METAL TO METAL
  - Special threads
  - Stem in stainless steel 1,4404
  - Ball in stainless steel 1,4404
  - Pressure class up to PN50 Mpa
  - Locking device

- On request**
- Reduced bore
  - O-Ring in FKM, EPDM, HNBR, KALREZ
  - Seals in PTFE, PEEK, PA612, GEMPTFE, METAL TO METAL
  - Special threads
  - Pressure class up to PN50 Mpa
  - Locking device