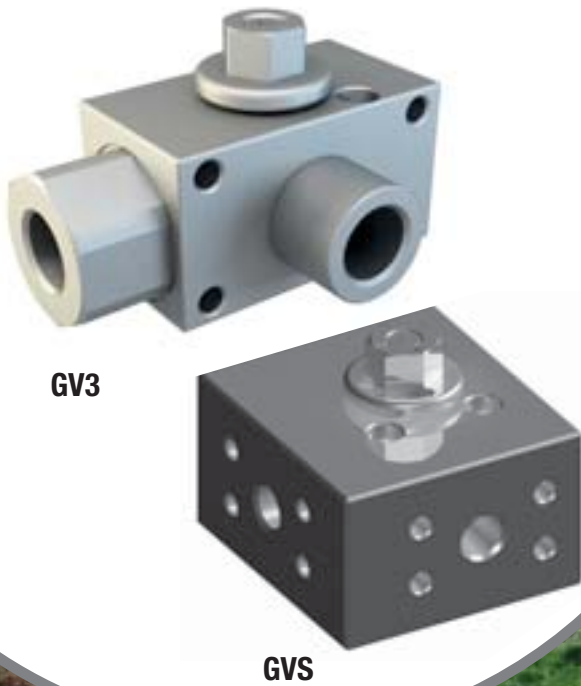


+ GV3

3-WAY HIGH PRESSURE BALL VALVES



GV3



CARBON STEEL

- Type: ball valve GV 3 way
- Body: square
- Material: 1,0737/ 1,0737
- Ball seats: from DN6 up to DN32
- O-Rings: NBR, FKM, EPDM, MVQ
- Operating pressure: PN 400 - S6000 depending on valve size and seal materials selected
- Temp range: -20°C to +100°C depending on seal material selected

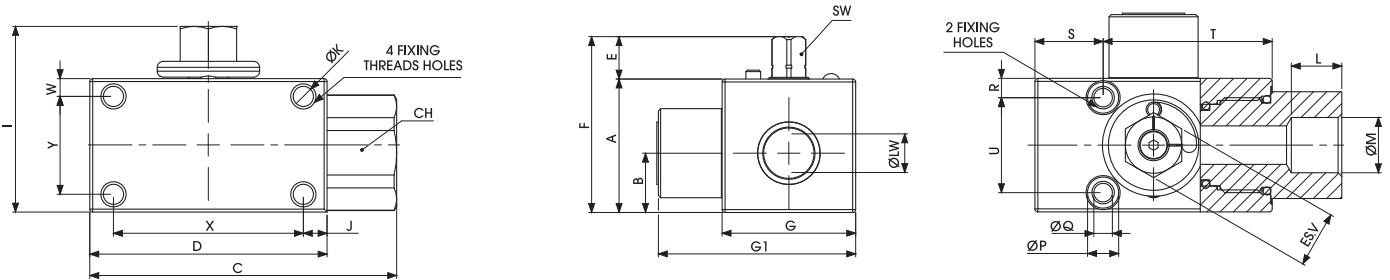
| | GV3 | G 1/2 | DN13 | 1 | 1 | 1 | 1 | D | E | | |
|-----------------------|---------------------------|-----------------------------|----------------|-------------|----------------------|------------------|---------------------|------------------|------------------|--|--------------------------------------|
| Type and way of valve | | | | | | | | | | | |
| GV3 3-way | GAS DIN/ISO 228 BSP | NPT ANSI/ASME B1.20.1 | SAE J1926-1 | ISO 6162 | Nominal dimension | Body material | Adapter material | Stem material | Ball material | Ball seat material | Adapter and stem seal material |
| | G 1/4 | N 1/4 | SAE4 | S6000 | DN6 | 1 1,0737 | 1 1,0737 | 1 1,0737 | 1 1,0737 | A POM D PEEK K GEMPTFE C PTFE | B NBR E FKM F EPDM L MVQ |
| | G 3/8 | N 3/8 | SAE6 | | DN10 | | | | | | |
| | G 1/2 | N 1/2 | SAE8 | | DN13 | | | | | | |
| | G 3/4 | N 3/4 | SAE12 | | DN20 | | | | | | |
| | G 1 | N 1 | SAE16 | | DN25 | | | | | | |
| | G 1 1/4 R | N 1 1/4 R | SAE20R | | | | | | | | |
| | G 1 1/4 | N 1 1/4 | SAE20 | | | | | | | | |



+ GV3

3-WAY HIGH PRESSURE BALL VALVES

Specialist in Ball Valves



GV3 DIN/ISO 228 BSP

Standard

CARBON STEEL

| TYPE | PN | DN | A | B | C | D | E | F | G | G1 | I | J | ØK | Y | X | W | L | ØM | CH | ØP | ØQ | R | S | T | U | ES.V | ØLW | SW | KG | ITEM CODE |
|--------------|--------|----|----|------|-------|-----|------|------|----|------|-------|------|----|----|----|-----|------|----------|----|------|------|-----|------|------|----|------|-----|----|-------|-----------------|
| GV3 G 1/4 | 40 MPa | 6 | 40 | 17,4 | 85,5 | 67 | 14,5 | 54,5 | 37 | 60,5 | 57,5 | 5,5 | M6 | 33 | 56 | 3,5 | 15,5 | G 1/4 | 27 | 10,5 | 6,25 | 6,5 | 14,5 | 52,5 | 24 | 19 | 6 | 9 | 1,08 | GV3GGT14011B000 |
| GV3 G 3/8 | 40 MPa | 10 | 40 | 19,5 | 88,5 | 70 | 14,5 | 54,5 | 37 | 61 | 57,5 | 7 | M6 | 33 | 56 | 3,5 | 17 | G 3/8 | 32 | 10,5 | 6,25 | 6,5 | 16 | 54 | 24 | 19 | 10 | 9 | 1,15 | GV3GGT24011B000 |
| GV3 G 1/2 | 35 MPa | 13 | 45 | 20 | 103,5 | 80 | 14,5 | 69,5 | 45 | 66,5 | 62,5 | 8 | M8 | 33 | 64 | 6 | 17 | G 1/2 | 36 | 10,5 | 6,25 | 6,5 | 23 | 57 | 32 | 19 | 13 | 9 | 1,362 | GV3GGT33011B000 |
| GV3 G 3/4 | 35 MPa | 20 | 55 | 23,4 | 129,5 | 101 | 18,5 | 73,5 | 55 | 85 | 77,5 | 10,5 | M8 | 43 | 80 | 6 | 21 | G 3/4 | 45 | 13,5 | 8,25 | 7,5 | 25,5 | 75,5 | 40 | 24 | 20 | 14 | 2,51 | GV3GGT43011B000 |
| GV3 G 1 | 35 MPa | 25 | 65 | 29,5 | 133,5 | 105 | 18,5 | 83,5 | 65 | 97,5 | 87,5 | 7,5 | M8 | 53 | 90 | 6 | 24 | G 1 | 55 | 13,5 | 8,25 | 8,5 | 27,5 | 77,5 | 48 | 24 | 25 | 14 | 3,564 | GV3GGT53011B000 |
| GV3 G 1 1/4R | 35 MPa | 25 | 65 | 29,5 | 133,5 | 105 | 18,5 | 83,5 | 65 | 99 | 87,5 | 7,5 | M8 | 53 | 90 | 6 | 24 | G 1 1/4R | 55 | 13,5 | 8,25 | 8,5 | 27,5 | 77,5 | 48 | 24 | 25 | 14 | 3,485 | GV3GGR63011B000 |
| GV3 G 1 1/4 | 35 MPa | 32 | 80 | 33,5 | 133,5 | 105 | 18,5 | 98,5 | 80 | 118 | 103,5 | 9,5 | M8 | 64 | 86 | 8 | 24 | G 1 1/4 | 60 | 13,5 | 8,25 | 10 | 24,5 | 80,5 | 60 | 32 | 32 | 17 | 5,32 | GV3GGT63011B000 |

GV3 ANSI/ASME B1.20.1 NPT

Standard

CARBON STEEL

| TYPE | PN | DN | A | B | C | D | E | F | G | G1 | I | J | ØK | Y | X | W | L | ØM | CH | ØP | ØQ | R | S | T | U | ES.V | ØLW | SW | KG | ITEM CODE |
|--------------|--------|----|----|------|-------|-----|------|------|----|------|-------|------|----|----|----|-----|------|----------|----|------|------|-----|------|------|----|------|-----|----|-------|-----------------|
| GV3 N 1/4 | 40 MPa | 6 | 40 | 17,4 | 85,5 | 67 | 14,5 | 54,5 | 37 | 60,5 | 57,5 | 5,5 | M6 | 33 | 56 | 3,5 | 15,5 | N 1/4 | 27 | 10,5 | 6,25 | 6,5 | 14,5 | 52,5 | 24 | 19 | 6 | 9 | 1,08 | GV3NNT14011B000 |
| GV3 N 3/8 | 40 MPa | 10 | 40 | 19,5 | 88,5 | 70 | 14,5 | 54,5 | 37 | 61 | 57,5 | 7 | M6 | 33 | 56 | 3,5 | 17 | N 3/8 | 32 | 10,5 | 6,25 | 6,5 | 16 | 54 | 24 | 19 | 10 | 9 | 1,15 | GV3NNT24011B000 |
| GV3 N 1/2 | 35 MPa | 13 | 45 | 20 | 103,5 | 80 | 14,5 | 69,5 | 45 | 66,5 | 62,5 | 8 | M8 | 33 | 64 | 6 | 17 | N 1/2 | 36 | 10,5 | 6,25 | 6,5 | 23 | 57 | 32 | 19 | 13 | 9 | 1,362 | GV3NNT33011B000 |
| GV3 N 3/4 | 35 MPa | 20 | 55 | 23,4 | 129,5 | 101 | 18,5 | 73,5 | 55 | 85 | 77,5 | 10,5 | M8 | 43 | 80 | 6 | 21 | N 3/4 | 45 | 13,5 | 8,25 | 7,5 | 25,5 | 75,5 | 40 | 24 | 20 | 14 | 2,51 | GV3NNT43011B000 |
| GV3 N 1 | 35 MPa | 25 | 65 | 29,5 | 133,5 | 105 | 18,5 | 83,5 | 65 | 97,5 | 87,5 | 7,5 | M8 | 53 | 90 | 6 | 24 | N 1 | 55 | 13,5 | 8,25 | 8,5 | 27,5 | 77,5 | 48 | 24 | 25 | 14 | 3,564 | GV3NNT53011B000 |
| GV3 N 1 1/4R | 35 MPa | 25 | 65 | 29,5 | 133,5 | 105 | 18,5 | 83,5 | 65 | 99 | 87,5 | 7,5 | M8 | 53 | 90 | 6 | 24 | N 1 1/4R | 55 | 13,5 | 8,25 | 8,5 | 27,5 | 77,5 | 48 | 24 | 25 | 14 | 3,485 | GV3NNR63011B000 |
| GV3 N 1 1/4 | 35 MPa | 32 | 80 | 33,5 | 133,5 | 105 | 18,5 | 98,5 | 80 | 118 | 103,5 | 9,5 | M8 | 64 | 86 | 8 | 24 | G 1 1/4 | 60 | 13,5 | 8,25 | 10 | 24,5 | 80,5 | 60 | 32 | 32 | 17 | 5,32 | GV3NNT63011B000 |

GV3 SAE J1926-1

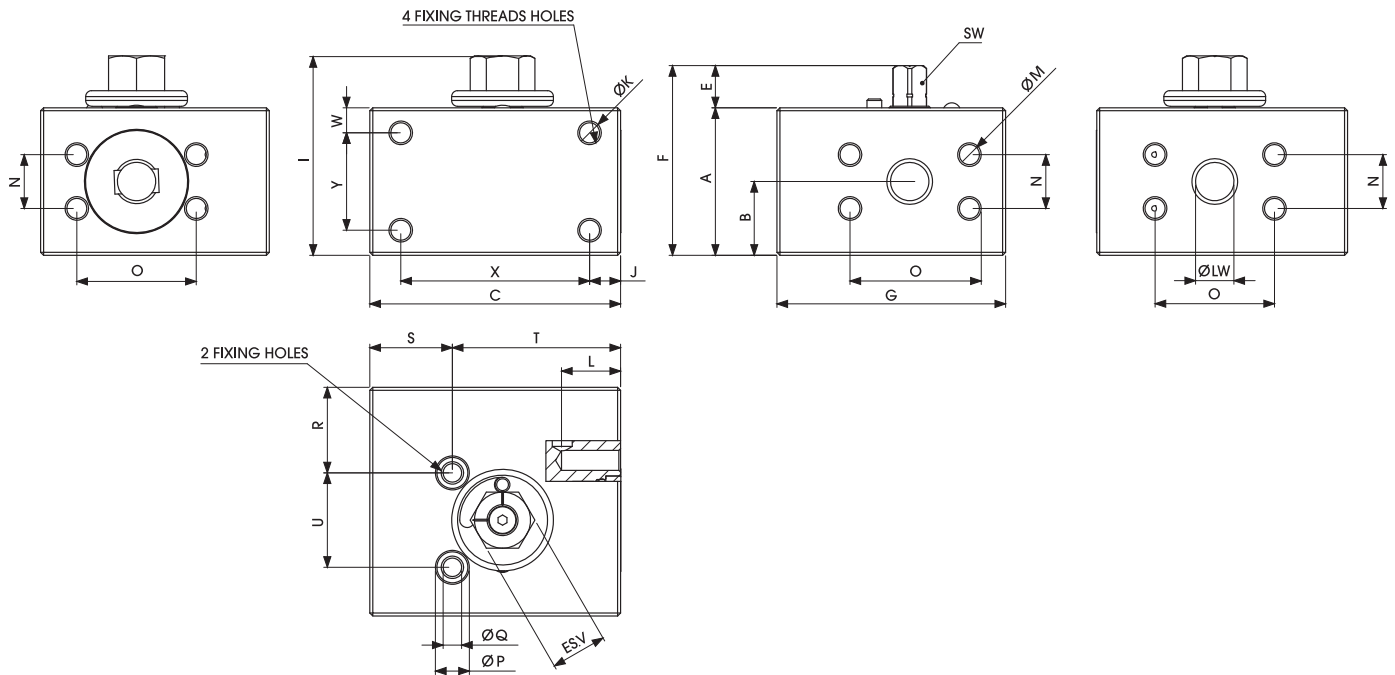
Standard

CARBON STEEL

| TYPE | PN | DN | A | B | C | D | E | F | G | G1 | I | J | ØK | Y | X | W | L | ØM | CH | ØP | ØQ | R | S | T | U | ES.V | ØLW | SW | KG | ITEM CODE |
|------------|--------|----|----|------|-------|-----|------|------|----|------|-------|------|----|----|----|-----|------|--------|----|------|------|-----|------|------|----|------|-----|----|-------|-----------------|
| GV3 SAE4 | 40 MPa | 6 | 40 | 17,4 | 85,5 | 67 | 14,5 | 54,5 | 37 | 60,5 | 57,5 | 5,5 | M6 | 33 | 56 | 3,5 | 15,5 | SAE4 | 27 | 10,5 | 6,25 | 6,5 | 14,5 | 52,5 | 24 | 19 | 6 | 9 | 1,08 | GV3EEE04011B000 |
| GV3 SAE6 | 40 MPa | 10 | 40 | 19,5 | 88,5 | 70 | 14,5 | 54,5 | 37 | 61 | 57,5 | 7 | M6 | 33 | 56 | 3,5 | 17 | SAE6 | 32 | 10,5 | 6,25 | 6,5 | 16 | 54 | 24 | 19 | 10 | 9 | 1,15 | GV3EEE14011B000 |
| GV3 SAE8 | 35 MPa | 13 | 45 | 20 | 103,5 | 80 | 14,5 | 69,5 | 45 | 66,5 | 62,5 | 8 | M8 | 33 | 64 | 6 | 17 | SAE8 | 36 | 10,5 | 6,25 | 6,5 | 23 | 57 | 32 | 19 | 13 | 9 | 1,362 | GV3EEE23011B000 |
| GV3 SAE12 | 35 MPa | 20 | 55 | 23,4 | 129,5 | 101 | 18,5 | 73,5 | 55 | 85 | 77,5 | 10,5 | M8 | 43 | 80 | 6 | 21 | SAE12 | 45 | 13,5 | 8,25 | 7,5 | 25,5 | 75,5 | 40 | 24 | 20 | 14 | 2,51 | GV3EEE33011B000 |
| GV3 SAE16 | 35 MPa | 25 | 65 | 29,5 | 133,5 | 105 | 18,5 | 83,5 | 65 | 97,5 | 87,5 | 7,5 | M8 | 53 | 90 | 6 | 24 | SAE16 | 55 | 13,5 | 8,25 | 8,5 | 27,5 | 77,5 | 48 | 24 | 25 | 14 | 3,564 | GV3EEE43011B000 |
| GV3 SAE20R | 35 MPa | 25 | 65 | 29,5 | 133,5 | 105 | 18,5 | 83,5 | 65 | 99 | 87,5 | 7,5 | M8 | 53 | 90 | 6 | 24 | SAE20R | 55 | 13,5 | 8,25 | 8,5 | 27,5 | 77,5 | 48 | 24 | 25 | 14 | 3,485 | GV3EEE83011B000 |
| GV3 SAE20 | 35 MPa | 32 | 80 | 33,5 | 133,5 | 105 | 18,5 | 98,5 | 80 | 118 | 103,5 | 9,5 | M8 | 64 | 86 | 8 | 24 | SAE20 | 60 | 13,5 | 8,25 | 10 | 24,5 | 80,5 | 60 | 32 | 32 | 17 | 5,32 | GV3EEE53011B000 |

+ GVS6 3V 3-WAY HIGH PRESSURE BALL VALVES

www.gemels.it



GVS6 3V SAE 6000 ISO6162 COD62

Standard

CARBON STEEL

| TYPE | PN | DN | A | B | C | E | F | G | I | J | ØK | Y | X | W | L | ØM | N | O | ØP | ØQ | R | S | T | U | ES.V | ØLW | SW | KG | ITEM CODE |
|---------------|--------|----|----|------|-----|------|-------|-------|-------|------|-----|----|----|------|----|-----|-------|-------|----|----|------|------|------|----|------|-----|----|-------|-----------------|
| GVS6 3V S6000 | 42 MPa | 13 | 50 | 25 | 85 | 14,5 | 64,5 | 77,5 | 67,5 | 10,5 | M10 | 33 | 64 | 12,5 | 18 | M8 | 18,24 | 40,49 | 15 | 9 | 16,5 | 28 | 56 | 38 | 19 | 13 | 9 | 2,373 | GV3FFT3G011B000 |
| GVS6 3V S6000 | 42 MPa | 20 | 65 | 33,4 | 105 | 18,5 | 83,5 | 90 | 87,5 | 12,5 | M10 | 43 | 80 | 10,1 | 18 | M10 | 23,8 | 50,8 | 17 | 11 | 20 | 29,5 | 73,5 | 52 | 24 | 20 | 14 | 4,355 | GV3FFT4G011B000 |
| GVS6 3V S6000 | 42 MPa | 25 | 75 | 39,5 | 110 | 18,5 | 93,5 | 105 | 97,5 | 10 | M10 | 53 | 90 | 9 | 20 | M12 | 27,76 | 57,15 | 17 | 11 | 21 | 32,5 | 75,5 | 55 | 24 | 25 | 14 | 5,997 | GV3FFT5G011B000 |
| GVS6 3V S6000 | 42 MPa | 32 | 85 | 38,5 | 115 | 18,5 | 103,5 | 117,5 | 108,5 | 14,5 | M10 | 64 | 86 | 14,5 | 22 | M14 | 31,75 | 66,68 | 20 | 13 | 20 | 34,5 | 79,5 | 67 | 32 | 32 | 17 | 7,745 | GV3FFT6G011B000 |

+ GV3

3-WAY HIGH PRESSURE BALL VALVES

www.gemels.it

2015 - Edition 3

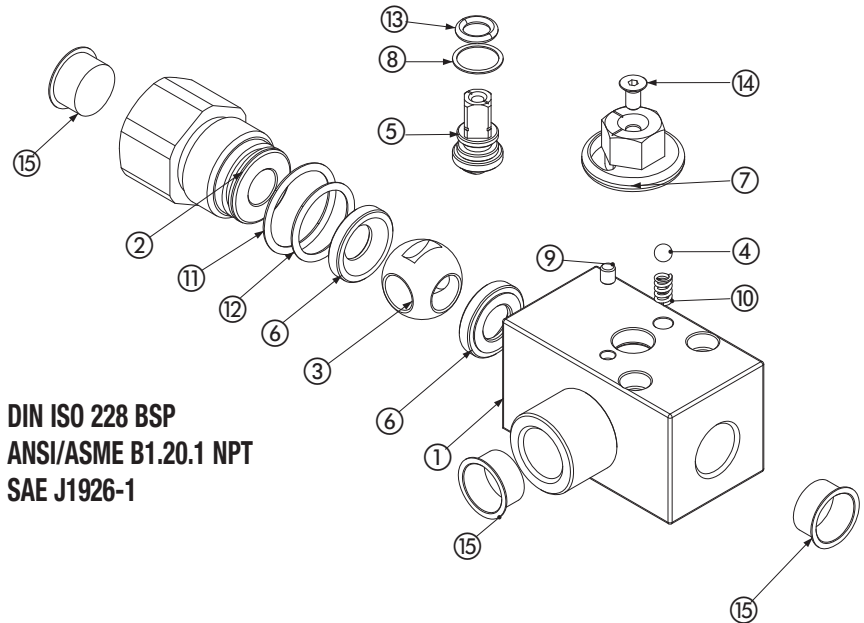
Carbon steel

| Pos | Description | Material | Q.tà |
|-----|----------------|--------------|------|
| 1 | Body | 1,0737 | 1 |
| 2 | Adapter | 1,0737 | 1 |
| 3 | Ball | 1,0737 | 1 |
| 4 | Spring | 1,0116 | 1 |
| 5 | Stem | 1,0737 | 1 |
| 6 | Ball seat | POM | 2 |
| 7 | Washer | 1,0737 | 1 |
| 8 | Stem ring | POM | 1 |
| 9 | Spine | 1,0737 | 1 |
| 10 | Spring ball | 1,0116 | 1 |
| 11 | Adapter o-ring | FKM | 2 |
| 12 | Adapter o-ring | FKM | 2 |
| 13 | Stem o-ring | FKM | 1 |
| 14 | Screw | DIN 7991 8.8 | 1 |
| 15 | Caps | PVC | 3 |

On request

- Reduced bore
- O-Ring in FKM, EPDM, HNBR, KALREZ
- Seals in PTFE, PEEK, PA612, GEMPTFE, METAL TO METAL
- Special threads
- Pressure class up to PN40 Mpa
- Locking device

• For further special requests please consult our technical/commercial service



DIN ISO 228 BSP
ANSI/ASME B1.20.1 NPT
SAE J1926-1

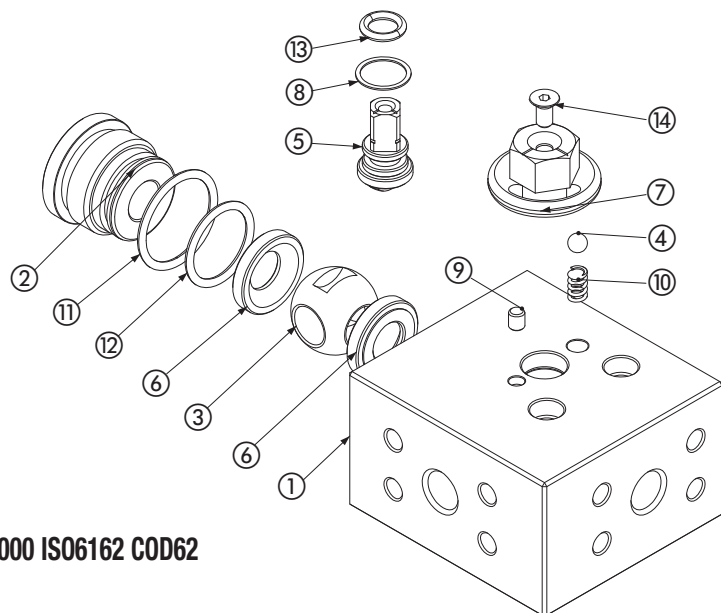
Carbon steel

| Pos | Description | Material | Q.tà |
|-----|----------------|--------------|------|
| 1 | Body | 1,0737 | 1 |
| 2 | Adapter | 1,0737 | 1 |
| 3 | Ball | 1,0737 | 1 |
| 4 | Spring ball | 1,0116 | 1 |
| 5 | Stem | 1,0737 | 1 |
| 6 | Ball seat | POM | 2 |
| 7 | Washer | 1,0737 | 1 |
| 8 | Stem ring | POM | 1 |
| 9 | Spine | 1,0737 | 1 |
| 10 | Spring | 1,0116 | 1 |
| 11 | Adapter o-ring | FKM | 2 |
| 12 | Adapter o-ring | FKM | 2 |
| 13 | Stem o-ring | FKM | 1 |
| 14 | Screw | DIN 7991 8.8 | 1 |

On request

- Reduced bore
- O-Ring in FKM, EPDM, HNBR, KALREZ
- Seals in PTFE, PEEK, PA612, GEMPTFE, METAL TO METAL
- Special threads
- Pressure class up to PN6000 Psi
- Locking device

• For further special requests please consult our technical/commercial service



SAE 6000 ISO6162 COD62