

+ VU

2-WAY HIGH PRESSURE BALL VALVES



CARBON STEEL

- Type: check valve VU
- Body: exagone
- Material: 1,0737/1,4749
- Ball seats: from 1/4 to 2"
- Operating pressure: up to PN500
- Temp range: -20°C to +100°C



VU	G 1/2	CS	
Type and way of valve	GAS DIN/ISO 228 BSP	NPT ANSI/ASME B1.20.1	Material
VU check valves	G 1/4 G 3/8 G 1/2 G 3/4 G 1 G 1 1/4 G 1 1/2 G 2	N 1/4 N 3/8 N 1/2 N 3/4 N 1 N 1 1/4 N 1 1/2 N 2	CS carbon steel

STAINLESS STEEL

- Type: check valve VU
- Body: exagone
- Material: 1,4404/1,0737 (SS/CS)
- Ball seats: from 1/4 to 2"
- Operating pressure: up to PN500
- Temp range: -30°C to +100°C
- All stainless steel on request



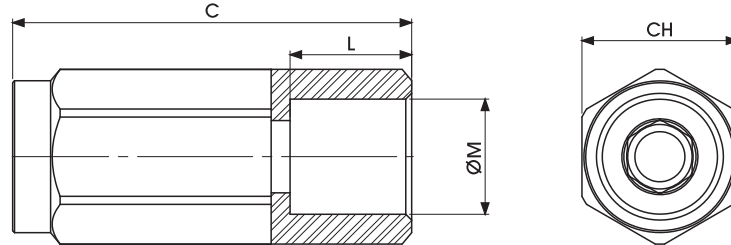
VU	G 1/2	SS	
Type and way of valve	GAS DIN/ISO 228 BSP	NPT ANSI/ASME B1.20.1	Material
VU check valves	G 1/4 G 3/8 G 1/2 G 3/4 G 1 G 1 1/4 G 1 1/2 G 2	N 1/4 N 3/8 N 1/2 N 3/4 N 1 N 1 1/4 N 1 1/2 N 2	SS stainless steel CS carbon steel





2-WAY HIGH PRESSURE BALL VALVES

Specialist in Ball Valves

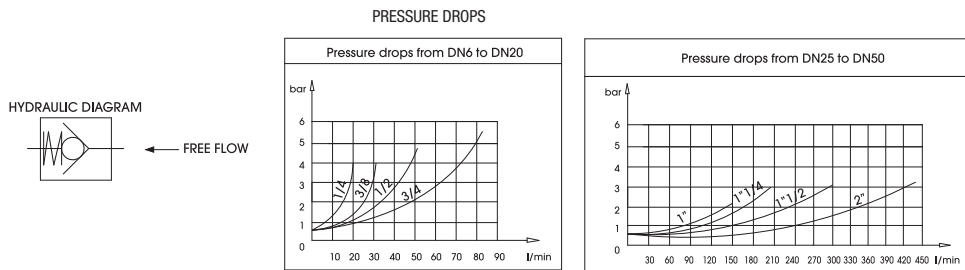


VU DIN ISO 228 BSP GAS

Standard

										CARBON STEEL	STAINLESS STEEL
TYPE	PN	DN	MAX FLOW L/m	CRACKING PRESSURE	C	L	ØM	CH	KG	ITEM CODE	ITEM CODE
VU G 1/4	50 MPa	6	15	0.4/0.7 BAR	62	15.5	G 1/4	19	0,11	GC2GGT150110000	GC2GGT150410000
VU G 3/8	50 MPa	10	30	0.4/0.7 BAR	68	15.5	G 3/8	24	0,2	GC2GGT250110000	GC2GGT250410000
VU G 1/2	50 MPa	13	50	0.4/0.7 BAR	77	17	G 1/2	30	0,35	GC2GGT350110000	GC2GGT350410000
VU G 3/4	40 MPa	20	90	0.4/0.7 BAR	88	21	G 3/4	36	0,53	GC2GGT440110000	GC2GGT440410000
VU G 1	35 MPa	25	150	0.4/0.7 BAR	105	24	G 1	41	0,75	GC2GGT530110000	GC2GGT530410000
VU G 1 1/4	35 MPa	32	200	0.4/0.7 BAR	135	24	G 1 1/4	55	1,81	GC2GGT630110000	GC2GGT630410000
VU G 1 1/2	35 MPa	40	300	0.4/0.7 BAR	145	24	G 1 1/2	60	2,2	GC2GGT730110000	GC2GGT730410000
VU G 2	35 MPa	50	430	0.4/0.7 BAR	175	27	G 2	75	4,17	GC2GGT830110000	GC2GGT830410000

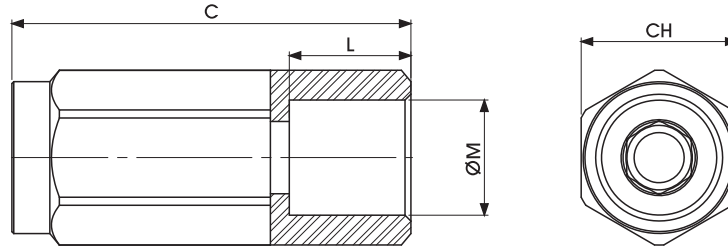
On request trim in stainless steel



+ VU

2-WAY HIGH PRESSURE BALL VALVES

www.gemels.it

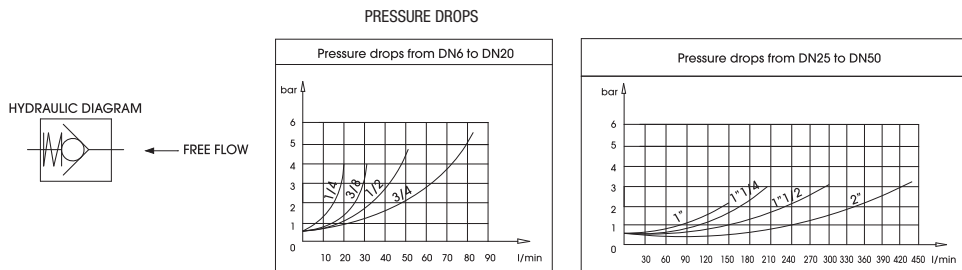


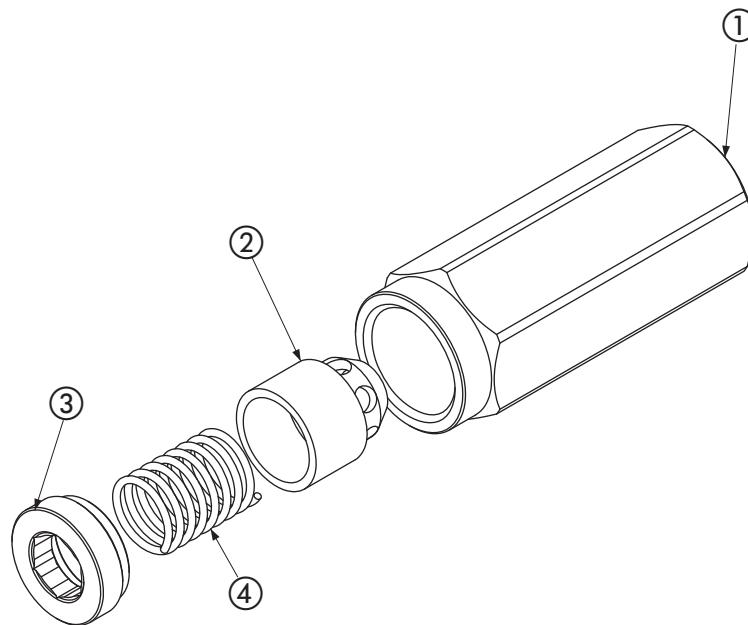
VU ANSI/ASME B1.20.1 NPT

Standard

										CARBON STEEL	STAINLESS STEEL
TYPE	PN	DN	MAX FLOW L/m	CRACKING PRESSURE	C	L	ØM	CH	KG	ITEM CODE	ITEM CODE
VU N 1/4	50 MPa	6	15	0.4/0.7 BAR	62	15.5	N 1/4	19	0,11	GC2NNT150110000	GC2NNT150410000
VU N 3/8	50 MPa	10	30	0.4/0.7 BAR	68	15.5	N 3/8	24	0,2	GC2NNT250110000	GC2NNT250410000
VU N 1/2	50 MPa	13	50	0.4/0.7 BAR	77	17	N 1/2	30	0,35	GC2NNT350110000	GC2NNT350410000
VU N 3/4	40 MPa	20	90	0.4/0.7 BAR	88	21	N 3/4	36	0,53	GC2NNT440110000	GC2NNT440410000
VU N 1	35 MPa	25	150	0.4/0.7 BAR	105	24	N 1	41	0,75	GC2NNT530110000	GC2NNT530410000
VU N 1 1/4	35 MPa	32	200	0.4/0.7 BAR	135	24	N 1 1/4	55	1,81	GC2NNT630110000	GC2NNT630410000
VU N 1 1/2	35 MPa	40	300	0.4/0.7 BAR	145	24	N 1 1/2	60	2,2	GC2NNT730110000	GC2NNT730410000
VU N 2	35 MPa	50	430	0.4/0.7 BAR	175	27	N 2	75	4,17	GC2NNT830110000	GC2NNT830410000

On request trim in stainless steel





Carbon steel

Pos	Description	Material	Q.tà
1	Body	1,0737	1
2	Poppet	1,4749	1
3	Ring	1,0737	1
4	Spring	1,0116	1

On request

- Special threads
- Pressure class up to PN500
- Spring closed: 1BAR - 3BAR - 5BAR - 8BAR

For further special requests please consult our technical/commercial service

Stainless steel

Pos	Description	Material	Q.tà
1	Body	1,4404	1
2	Poppet	1,4749	1
3	Ring	1,0737	1
4	Spring	1,0116	1

On request

- Special threads
- Pressure class up to PN500
- Spring closed: 1BAR - 3BAR - 5BAR - 8BAR