

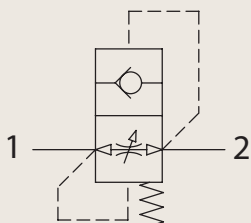
+ VB VUBA

(HOSE BREAK VALVES)



CARBON STEEL

- Type: ball valve VB
- Body: exacon
- Material: 1,0737
- Mineral oil: ISO 6743/4/DIN 51524
- Fluid viscosity: 45 to 2000 ssu
- Operating pressure: 300-350 Bar
- Temp range: -20°C to +100°C



VB	G 3/8	T0,5	F0,5
Type and way of valve VB	Port size	Setting	Throttling hole
	G 1/4 G 3/8 G 1/2 G 3/4 G 1	0,25 --> 4,25	0,5 --> 3,0

VBF Female insert
VBM Male insert

TYPE	F (Throttling hole*)	
	Ø MIN (mm)	Ø MAX (mm)
VB G 1/4	0,50	1,00
VB G 3/8	0,50	1,25
VB G 1/2	0,50	1,50
VB G 3/4	0,50	2,50
VB G 1	0,50	3,00

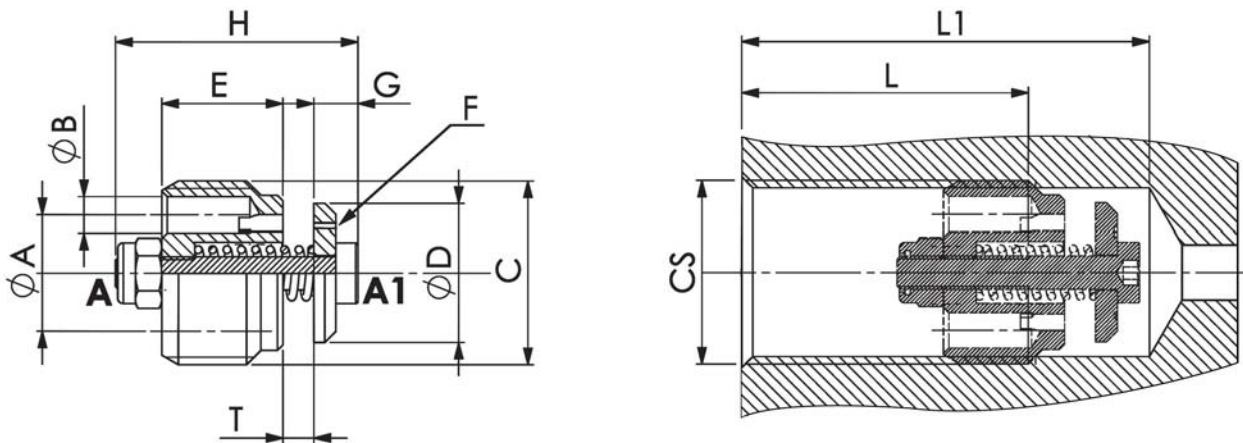
* omit if not requested



+ VB VUBA (HOSE BREAK VALVES)

Specialist in Ball Valves

CHECK VALVES WITH AUTOMATIC CHECK



VB

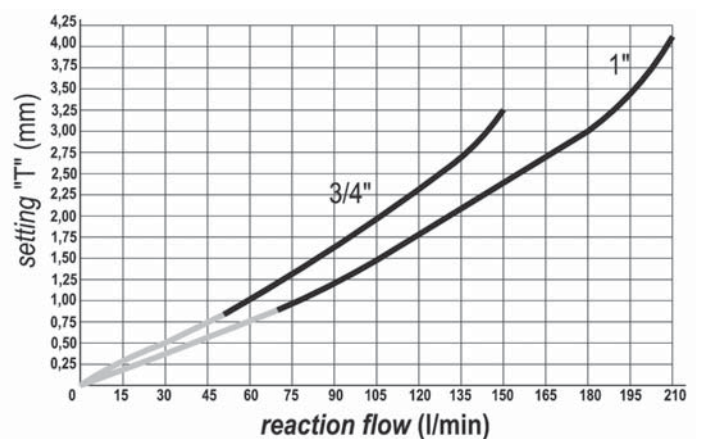
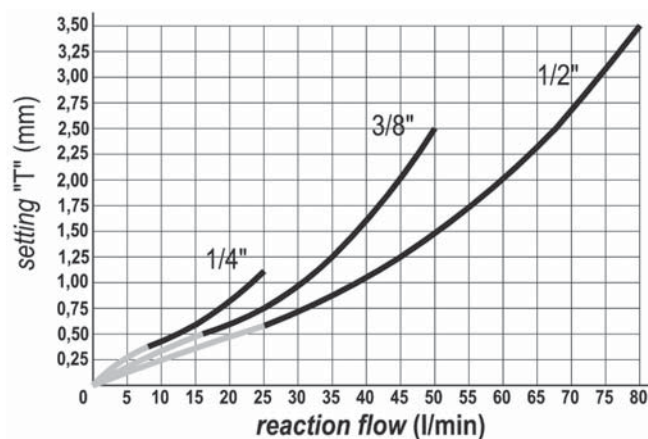
Standard

TYPE	FLOW min-max l/min	MAX PRESSURE BAR	A	B	C	D	E	G	H	T	KG	CAVITY			ITEM CODE
												CS	L	L1	
VB G 1/4	8-25	350	8,5	2,4	1/4	9,5	8	5,0	23	see diagram	0,0065	1/4	24,2	35,2	G540102A01AAPAA
VB G 3/8	16-50		11	3,5	3/8	12,5	11	5,0	23		0,0125	3/8	26,2	37,1	G540103A01AAPAA
VB G 1/2	25-80		13	4,5	1/2	15,0	13	6,0	29		0,0235	1/2	30,3	45,2	G540104A01AAPAA
VB G 3/4	50-150		16	6,0	3/4	18,5	18	6,0	34		0,0460	3/4	38,1	54,2	G540105A01AAPAA
VB G 1	70-200		20	7,0	1	23,0	21	7,5	40		0,0945	1	46,2	66,1	G540106A01AAPAA

Available on request male-female and female-female housing

For actuator moved by directional control valve, the reaction flow has to be calculated multiply the nominal flow by 1.5 and by 2 for actuator moved by solenoid operated directional control valve. It is normal to set the reaction flow 1,5 times the rate flow of the system. If not required, the setting of "T" will be supplied at the maximum value.

Warning: the setting values indicated in this diagram are indicative, for any setting value of "T", the reaction flow can change by $\pm 10\%$ and beyond based on the features of the equipment in which they are installed.

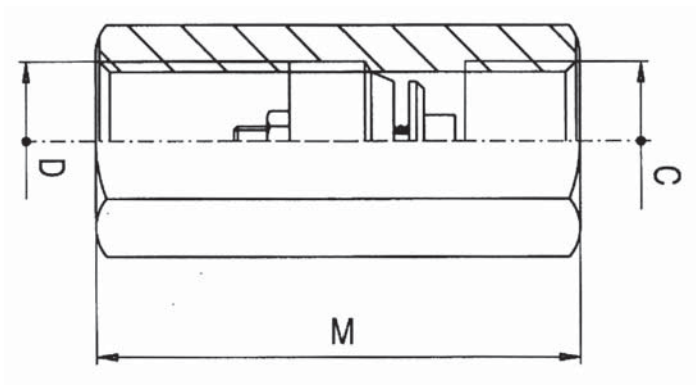


+ VB VUBA (HOSE BREAK VALVES)

www.gemels.it

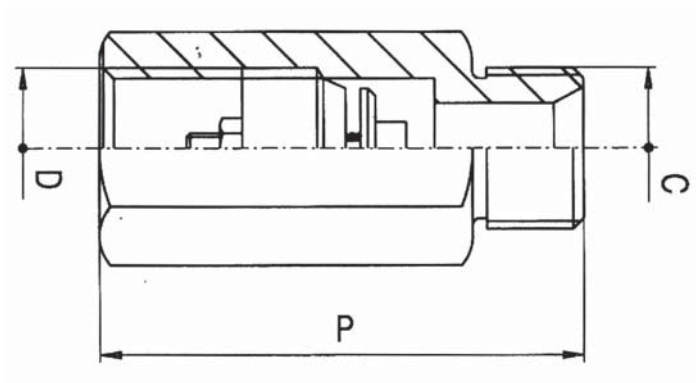
CHECK VALVES WITH AUTOMATIC CHECK

VBF Female insert



TYPE	CS	L	L1	C-D	M	Q (L/1')	ITEM CODE
VBF G 1/4	1/4	24,2	35,2	G 1/4	48	28	C01AA03583A010Z
VBF G 3/8	3/8	26,2	37,1	G 3/8	52	50	C01AA03584A010Z
VBF G 1/2	1/2	30,3	45,2	G 1/2	60	85	C01AA03585A010Z
VBF G 3/4	3/4	38,1	54,2	G 3/4	72	150	C01AA03586A010Z
VBF G 1	1	46,2	66,1	G 1	85	180	C01AA03587A010Z

VBM Male insert



TYPE	CS	L	L1	C-D	P	Q (L/1')	ITEM CODE
VBM G 1/4	1/4	24,2	35,2	G 1/4	48	28	C01AA03578A010Z
VBM G 3/8	3/8	26,2	37,1	G 3/8	58	50	C01AA03579A010Z
VBM G 1/2	1/2	30,3	45,2	G 1/2	65	85	C01AA03580A010Z
VBM G 3/4	3/4	38,1	54,2	G 3/4	78	150	C01AA03581A010Z
VBM G 1	1	46,2	66,1	G 1	85	180	C01AA03582A010Z

+ **VB VUBA** (HOSE BREAK VALVES)

www.gemels.it

2015 - Edition 1

