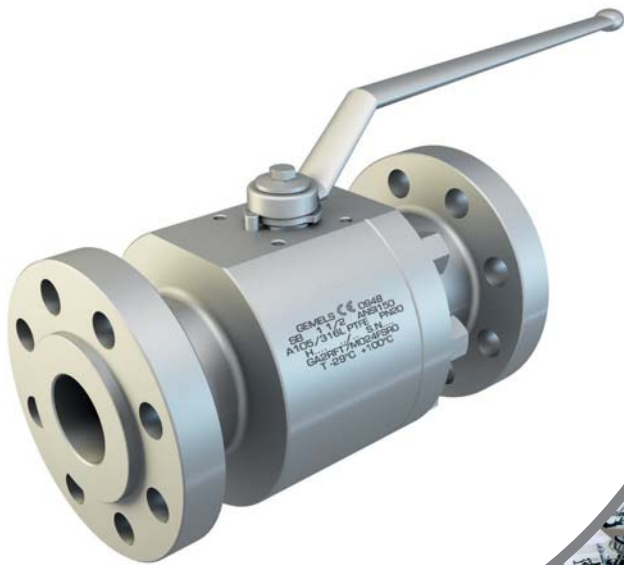


+ SBF

2-WAY HIGH PRESSURE BALL VALVES



CARBON STEEL

- Type: ball valve SBF ANSI B16.5 
- Body: round
- Material: A105/F316
- Ball seats: from DN13 up to DN150
- O-Rings: NBR, FKM, EPDM, MVQ
- Operating pressure: 20 Bar - 50 Bar - 100 Bar
150 Bar - 250 Bar - 420 Bar
- Antistatic device
- Fire safe BS 6755

SBF ANSI600 2" DN50 FB A105 F316 RPTFE NBR RF

Type and way of valve	Valves dimension of pressure (lbs)	Inch	Nominal dimension from DN13 up to DN150	Bore	Body material	Stem material	Ball seat material	Adapter and stem seal material	Flanged
SBF	ANSI2500	from 1/2 up to 6	up to DN150	FB	A105	A105	RPTFE	NBR	RF
Split body	ANSI1500			full bore	LF2	LF2	PEEK	FKM	RTJ
floating	ANSI900			RB		F316	NYLON	EPDM	BW
bolted body	ANSI600			reduce bore		F51	DEVLON	MVQ	FF
	ANSI300					F304	MET-TO-MET		
	ANSI150								

STAINLESS STEEL

- Type: ball valve SBF ANSI B16.5 
- Body: round
- Material: F316/F51
- Ball seats: from DN13 up to DN150
- O-Rings: NBR, FKM, EPDM, MVQ
- Operating pressure: 20 Bar - 50 Bar - 100 Bar
150 Bar - 250 Bar - 420 Bar
- Antistatic device
- Fire safe BS 6755

SBF ANSI600 2" DN50 FB F316 F51 RPTFE NBR RF

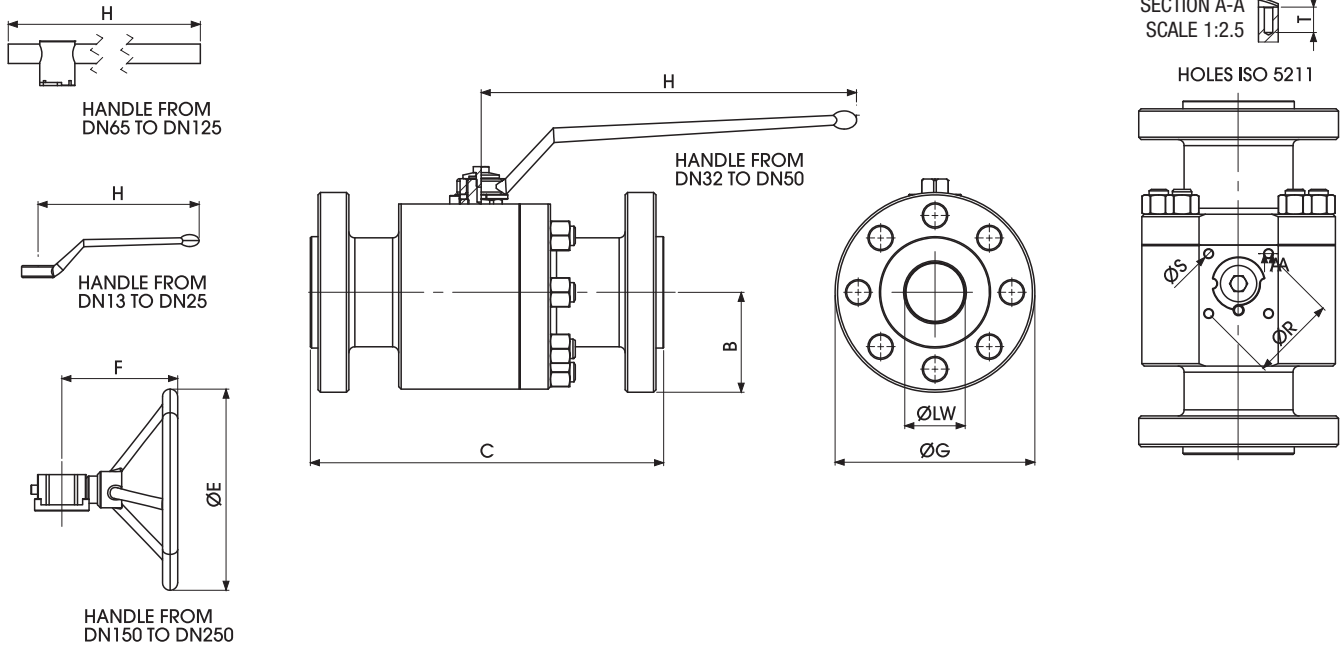
Type and way of valve	Valves dimension of pressure (lbs)	Inch	Nominal dimension from DN13 up to DN150	Bore	Body material	Stem material	Ball seat material	Adapter and stem seal material	Flanged
SBF	ANSI2500	from 1/2 up to 6	up to DN150	FB	F316	A105	RPTFE	NBR	RF
Split body	ANSI1500			full bore	F51	F316	PEEK	FKM	RTJ
floating	ANSI900			RB	F304	F51	NYLON	EPDM	BW
bolted body	ANSI600			reduce bore		F304	DEVLON	MVQ	FF
	ANSI300						MET-TO-MET		
	ANSI150								

SBF



+ SBF150 2-WAY HIGH PRESSURE BALL VALVES

Specialist in Ball Valves



SPLIT BODY ANSI150 PN20 FULL BORE

COMPONENTS	MATERIAL	MIN/MAX TEMP. (°C)
BODY AND FLANGE	ASTM A105	-20°+120°
	ASTM A105N	-29°+120°
	ASTM A182 F316	-60°+230°
	ASTM A350 LF2	-40°+100°
STEM	ASTM A479 Tp316	-60°+230°
BALL	ASTM A182 F316	-60°+230°
STEM SEALS	PTFE	-196°+230°
	GRAPHITE	-
BALL SEATS	RPTFE	-196°+230°
	PEEK	-50°+250°
	NYLON	-40°+90°
	DEVLON	-40°+150°
	METAL-TO-METAL	-60°+230°
O-RING	NBR	-30°+100°
	FKM	-40°+200°
	EPDM	-50°+150°
	MVQ	-50°+150°
STUD/NUT	ASTM A193 B7/Gr. 2H	
	ASTM A193 B8/Gr. 8	
	ASTM A320 L7/Gr. 7	

PROVISIONS

API-6D ANSI B16.34 Specification for pipeline valves
 API 598 Valve inspection and test
 ANSI B.16.34 Steel valves Flanged and butt welding ends
 ANSI B16.5 Steel pipe flanges and flanged fittings
 ANSI B16.10 Face to face and end to end dimensions of ferrous valves
 ASTM American society for testing materials
 BS 6755 Testing of valves
 NACE MR-01-75 Sulfide stress cracking resistant mettalic materials for oil field equipment
 UNI EN ISO 9001 quality system
 DIN/ISO 5211 for mounting
 BS-5351 steel ball valves for the petroleum, petrochemical and allied industries

+ SBF150 2-WAY HIGH PRESSURE BALL VALVES

www.gemels.it

SBF 150 FB

Standard

TYPE	PN	INCH	ØLW	B	C RF	C RTJ	ØG	H	ØR	ØS	T	ISO5211
SBF150	2 Mpa	1/2	13	44,5	108	119	89	110	36	M5	12	F03
SBF150	2 Mpa	3/4	20	49,25	117	130	98,5	120	50	M5	12	F03
SBF150	2 Mpa	1	25	54	127	140	108	120	50	M6	15	F05
SBF150	2 Mpa	1 1/4	32	58,75	140	153	117,5	300	50	M6	15	F05
SBF150	2 Mpa	1 1/2	40	63,5	165	178	127	300	70	M8	15	F05
SBF150	2 Mpa	2	49	76,25	178	191	152,5	300	70	M8	15	F05
SBF150	2 Mpa	2 1/2	63	89	191	203	178	600	102	M10	15	F10
SBF150	2 Mpa	3	74	95,25	203	216	190,5	600	102	M10	15	F10
SBF150	2 Mpa	4	100	114,5	229	242	229	600	102	M10	15	F10
SBF150	2 Mpa	6	150	139,8	394	407	279,5	-	125	M12	17	F12

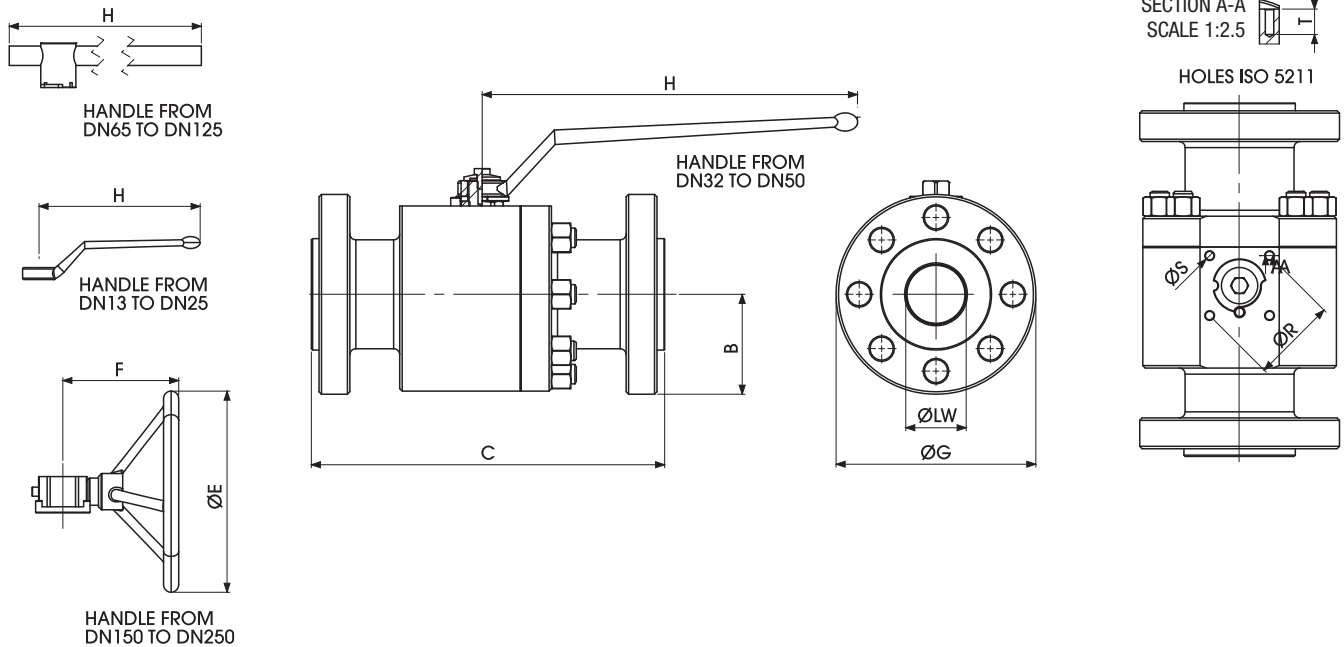
SBF 150 RB

Standard

TYPE	PN	INCH	ØLW	B	C RF	C RTJ	ØG	H	ØR	ØS	T	ISO5211
SBF150	2 Mpa	3/4x1/2	13	49,25	117	130	98,5	120	50	M5	12	F03
SBF150	2 Mpa	1x3/4	20	54	127	140	108	120	50	M6	15	F05
SBF150	2 Mpa	1 1/4x1	25	58,75	140	153	117,5	300	50	M6	15	F05
SBF150	2 Mpa	1 1/2x1 1/4	32	63,5	165	178	127	300	70	M8	15	F05
SBF150	2 Mpa	2x1 1/2	40	76,25	178	191	152,5	300	70	M8	15	F05
SBF150	2 Mpa	2 1/2x2	49	89	191	203	178	600	102	M10	15	F10
SBF150	2 Mpa	3x2 1/2	63	95,25	203	216	190,5	600	102	M10	15	F10
SBF150	2 Mpa	4x3	74	114,5	229	242	229	600	102	M10	15	F10
SBF150	2 Mpa	6x4	100	139,8	394	407	279,5	-	125	M12	17	F12
SBF150	2 Mpa	8x6	150	171,5	457	470	343	-	125	M12	17	F12

+ SBF300 2-WAY HIGH PRESSURE BALL VALVES

Specialist in Ball Valves



SPLIT BODY ANSI300 PN50 FULL BORE

COMPONENTS	MATERIAL	MIN/MAX TEMP. (°C)
BODY AND FLANGE	ASTM A105	-20°+120°
	ASTM A105N	-29°+120°
	ASTM A182 F316	-60°+230°
	ASTM A350 LF2	-40°+100°
STEM	ASTM A479 Tp316	-60°+230°
BALL	ASTM A182 F316	-60°+230°
STEM SEALS	PTFE	-196°+230°
	GRAPHITE	-
BALL SEATS	RPTFE	-196°+230°
	PEEK	-50°+250°
	NYLON	-40°+90°
	DEVLON	-40°+150°
	METAL-TO-METAL	-60°+230°
O-RING	NBR	-30°+100°
	FKM	-40°+200°
	EPDM	-50°+150°
	MVQ	-50°+150°
STUD/NUT	ASTM A193 B7/Gr. 2H	
	ASTM A193 B8/Gr. 8	
	ASTM A320 L7/Gr. 7	

PROVISIONS

API-6D ANSI B16.34 Specification for pipeline valves
 API 598 Valve inspection and test
 ANSI B.16.34 Steel valves Flanged and butt welding ends
 ANSI B16.5 Steel pipe flanges and flanged fittings
 ANSI B16.10 Face to face and end to end dimensions of ferrous valves
 ASTM American society for testing materials
 BS 6755 Testing of valves
 NACE MR-01-75 Sulfide stress cracking resistant mettalic materials for oil field equipment
 UNI EN ISO 9001 quality system
 DIN/ISO 5211 for mounting
 BS-5351 steel ball valves for the petroleum, petrochemical and allied industries

+ SBF300 2-WAY HIGH PRESSURE BALL VALVES

www.gemels.it

SBF 300 FB

Standard

TYPE	PN	INCH	ØLW	B	C RF	C RTJ	ØG	H	ØR	ØS	T	ISO5211
SBF300	5 Mpa	1/2	13	47,6	140	151	95,2	110	36	M5	12	F03
SBF300	5 Mpa	3/4	20	58,75	152	165	117,5	120	50	M5	12	F03
SBF300	5 Mpa	1	25	62	165	178	123,8	120	50	M6	15	F05
SBF300	5 Mpa	1 1/4	32	66,15	178	191	133,3	300	50	M6	15	F05
SBF300	5 Mpa	1 1/2	40	77,8	191	203	155,6	300	70	M8	15	F05
SBF300	5 Mpa	2	49	82,55	216	232	165,1	300	70	M8	15	F05
SBF300	5 Mpa	2 1/2	63	95,25	241	257	190,5	600	102	M10	15	F10
SBF300	5 Mpa	3	74	104,75	283	299	209,5	600	102	M10	15	F10
SBF300	5 Mpa	4	100	127	305	321	254	600	102	M10	15	F10
SBF300	5 Mpa	6	150	158,8	403	419	317,5	-	125	M12	17	F12

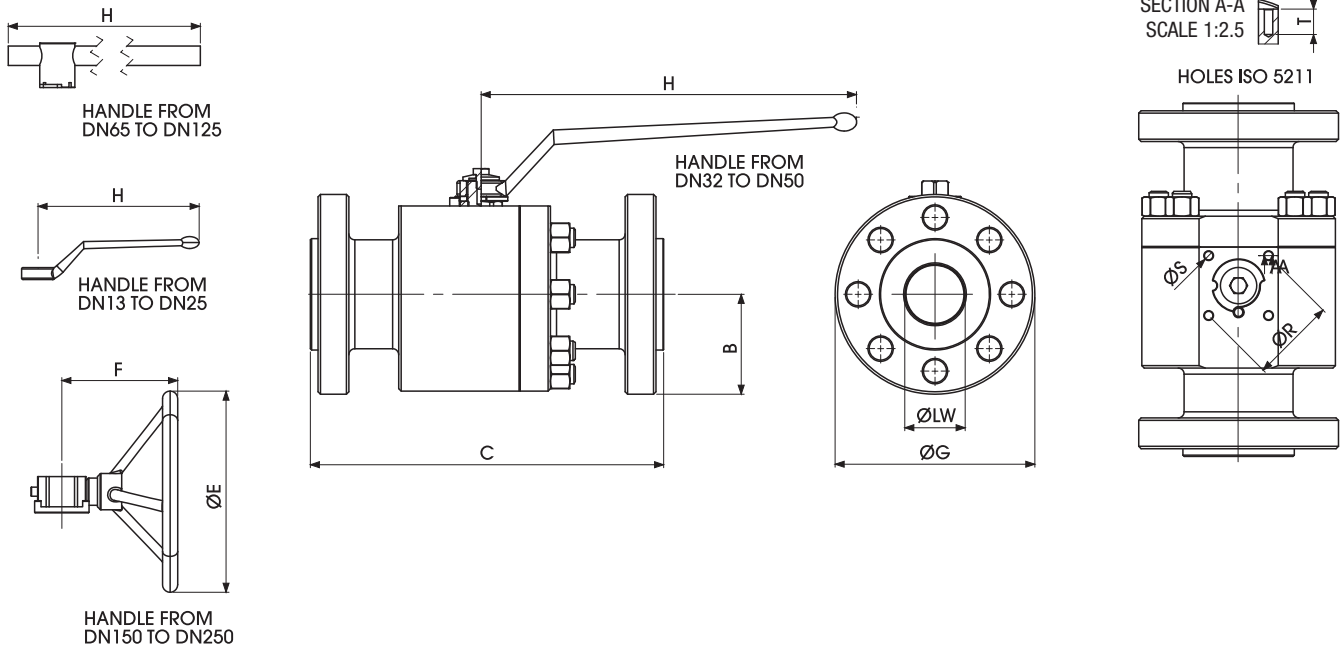
SBF 300 RB

Standard

TYPE	PN	INCH	ØLW	B	C RF	C RTJ	ØG	H	ØR	ØS	T	ISO5211
SBF300	5 Mpa	3/4x1/2	13	58,75	152	165	117,5	120	50	M5	12	F03
SBF300	5 Mpa	1x3/4	20	62	165	178	123,8	120	50	M6	15	F05
SBF300	5 Mpa	1 1/4x1	25	66,15	178	191	133,3	300	50	M6	15	F05
SBF300	5 Mpa	1 1/2x1 1/4	32	77,8	191	203	155,6	300	70	M8	15	F05
SBF300	5 Mpa	2x1 1/2	40	82,55	216	232	165,1	300	70	M8	15	F05
SBF300	5 Mpa	2 1/2x2	49	95,25	241	257	190,5	600	102	M10	15	F10
SBF300	5 Mpa	3x2 1/2	63	104,75	283	299	209,5	600	102	M10	15	F10
SBF300	5 Mpa	4x3	74	127	305	321	254	600	102	M10	15	F10
SBF300	5 Mpa	6x4	100	158,8	403	419	317,5	-	125	M12	17	F12
SBF300	5 Mpa	8x6	150	190,5	502	518	381	-	125	M12	17	F12

+ SBF600 2-WAY HIGH PRESSURE BALL VALVES

Specialist in Ball Valves



SPLIT BODY ANSI600 PN100 FULL BORE

COMPONENTS	MATERIAL	MIN/MAX TEMP. (°C)
BODY AND FLANGE	ASTM A105	-20°+120°
	ASTM A105N	-29°+120°
	ASTM A182 F316	-60°+230°
	ASTM A350 LF2	-40°+100°
STEM	ASTM A479 Tp316	-60°+230°
BALL	ASTM A182 F316	-60°+230°
STEM SEALS	PTFE	-196°+230°
	GRAPHITE	-
BALL SEATS	RPTFE	-196°+230°
	PEEK	-50°+250°
	NYLON	-40°+90°
	DEVLON	-40°+150°
	METAL-TO-METAL	-60°+230°
O-RING	NBR	-30°+100°
	FKM	-40°+200°
	EPDM	-50°+150°
	MVQ	-50°+150°
STUD/NUT	ASTM A193 B7/Gr. 2H	
	ASTM A193 B8/Gr. 8	
	ASTM A320 L7/Gr. 7	

PROVISIONS

API-6D ANSI B16.34 Specification for pipeline valves
 API 598 Valve inspection and test
 ANSI B.16.34 Steel valves Flanged and butt welding ends
 ANSI B16.5 Steel pipe flanges and flanged fittings
 ANSI B16.10 Face to face and end to end dimensions of ferrous valves
 ASTM American society for testing materials
 BS 6755 Testing of valves
 NACE MR-01-75 Sulfide stress cracking resistant mettalic materials for oil field equipment
 UNI EN ISO 9001 quality system
 DIN/ISO 5211 for mounting
 BS-5351 steel ball valves for the petroleum, petrochemical and allied industries

+ SBF600 2-WAY HIGH PRESSURE BALL VALVES

www.gemels.it

SBF 600 FB

Standard

TYPE	PN	INCH	ØLW	B	C RF	C RTJ	ØG	H	ØR	ØS	T	ISO5211
SBF600	10 Mpa	1/2	13	47,6	165	163,5	95,25	110	36	M5	12	F03
SBF600	10 Mpa	3/4	20	58,75	190	190,5	117,5	120	50	M5	12	F03
SBF600	10 Mpa	1	25	62	216	216	124	120	50	M6	15	F05
SBF600	10 Mpa	1 1/4	32	66,75	228,5	228,5	133,5	300	50	M6	15	F05
SBF600	10 Mpa	1 1/2	40	77,75	241	241	155,5	300	70	M8	15	F05
SBF600	10 Mpa	2	49	82,5	292	295,3	165	300	70	M8	15	F05
SBF600	10 Mpa	2 1/2	63	95,25	330	333	190,5	600	102	M10	15	F10
SBF600	10 Mpa	3	74	104,75	356	359	209,5	600	102	M10	15	F10
SBF600	10 Mpa	4	100	136,5	432	435	273	600	102	M10	15	F10
SBF600	10 Mpa	6	150	177,5	559	562	355,5	-	125	M12	17	F12

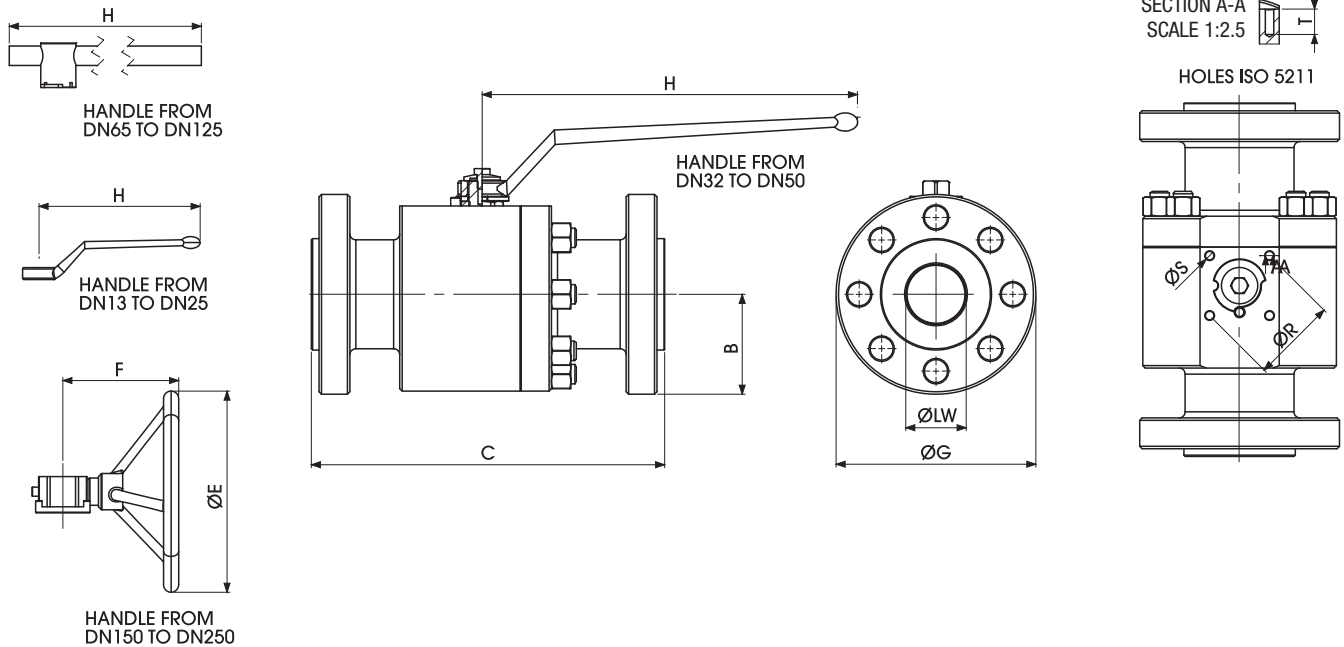
SBF 600 RB

Standard

TYPE	PN	INCH	ØLW	B	C RF	C RTJ	ØG	H	ØR	ØS	T	ISO5211
SBF600	10 Mpa	3/4x1/2	13	58,75	190	190,5	117,5	120	50	M5	12	F03
SBF600	10 Mpa	1x3/4	20	62	216	216	124	120	50	M6	15	F05
SBF600	10 Mpa	1 1/4x1	25	66,75	228,5	228,5	133,5	300	50	M6	15	F05
SBF600	10 Mpa	1 1/2x1 1/4	32	77,75	241	241	155,5	300	70	M8	15	F05
SBF600	10 Mpa	2x1 1/2	40	82,5	292	295,3	165	300	70	M8	15	F05
SBF600	10 Mpa	2 1/2x2	49	95,25	330	333	190,5	600	102	M10	15	F10
SBF600	10 Mpa	3x2 1/2	63	104,75	356	359	209,5	600	102	M10	15	F10
SBF600	10 Mpa	4x3	74	136,5	432	435	273	600	102	M10	15	F10
SBF600	10 Mpa	6x4	100	177,5	559	562	355,5	-	125	M12	17	F12
SBF600	10 Mpa	8x6	150	209,5	660	663	419	-	125	M12	17	F12

+ SBF900 2-WAY HIGH PRESSURE BALL VALVES

Specialist in Ball Valves



SPLIT BODY ANSI900 PN150 FULL BORE

COMPONENTS	MATERIAL	MIN/MAX TEMP. (°C)
BODY AND FLANGE	ASTM A105	-20°+120°
	ASTM A105N	-29°+120°
	ASTM A182 F316	-60°+230°
	ASTM A350 LF2	-40°+100°
STEM	ASTM A479 Tp316	-60°+230°
BALL	ASTM A182 F316	-60°+230°
STEM SEALS	PTFE	-196°+230°
	GRAPHITE	-
BALL SEATS	RPTFE	-196°+230°
	PEEK	-50°+250°
	NYLON	-40°+90°
	DEVLON	-40°+150°
	METAL-TO-METAL	-60°+230°
O-RING	NBR	-30°+100°
	FKM	-40°+200°
	EPDM	-50°+150°
	MVQ	-50°+150°
STUD/NUT	ASTM A193 B7/Gr. 2H	
	ASTM A193 B8/Gr. 8	
	ASTM A320 L7/Gr. 7	

PROVISIONS

API-6D ANSI B16.34 Specification for pipeline valves
 API 598 Valve inspection and test
 ANSI B.16.34 Steel valves Flanged and butt welding ends
 ANSI B16.5 Steel pipe flanges and flanged fittings
 ANSI B16.10 Face to face and end to end dimensions of ferrous valves
 ASTM American society for testing materials
 BS 6755 Testing of valves
 NACE MR-01-75 Sulfide stress cracking resistant mettalic materials for oil field equipment
 UNI EN ISO 9001 quality system
 DIN/ISO 5211 for mounting
 BS-5351 steel ball valves for the petroleum, petrochemical and allied industries

+ SBF900 2-WAY HIGH PRESSURE BALL VALVES

www.gemels.it

SBF 900 FB

Standard

TYPE	PN	INCH	ØLW	B	C RF	C RTJ	ØG	H	ØR	ØS	T	ISO5211
Use Class 1500 dimensions in these size												
SBF 900	15 Mpa	3	74	120,5	381	384	241	600	102	M10	15	F10
SBF 900	15 Mpa	4	100	155,5	457	460	292	600	125	M12	17	F12
SBF 900	15 Mpa	6	150	190,5	610	613	381	-	125	M12	17	F12

SBF 900 RB

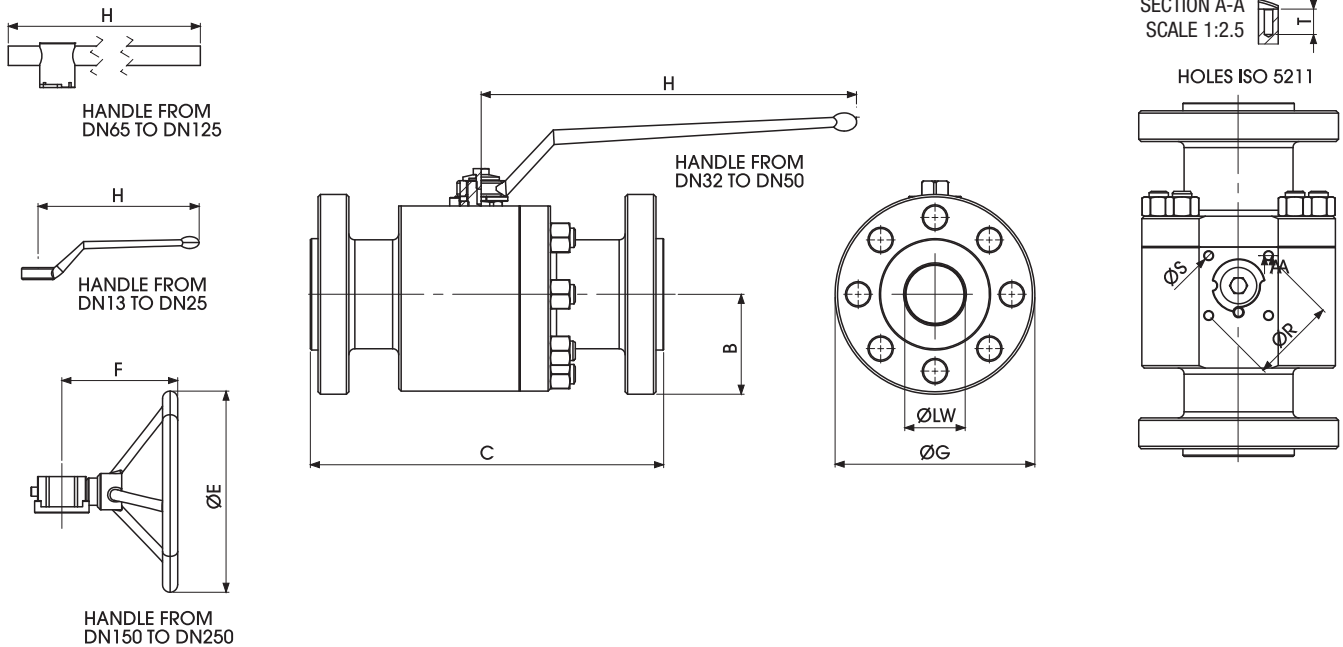
Standard

TYPE	PN	INCH	ØLW	B	C RF	C RTJ	ØG	H	ØR	ØS	T	ISO5211
Use Class 1500 dimensions in these size												
SBF 900	15 Mpa	4x3	80	146	457	460	292	600	125	M12	17	F12
SBF 900	15 Mpa	6x4	100	190,5	610	613	381	-	125	M12	17	F12
SBF 900	15 Mpa	8x6	150	235	737	740	470	-	125	M12	17	F12

+ SBF1500

2-WAY HIGH PRESSURE BALL VALVES

Specialist in Ball Valves



SPLIT BODY ANSI1500 PN250 FULL BORE

COMPONENTS	MATERIAL	MIN/MAX TEMP. (°C)
BODY AND FLANGE	ASTM A105	-20°+120°
	ASTM A105N	-29°+120°
	ASTM A182 F316	-60°+230°
	ASTM A350 LF2	-40°+100°
STEM	ASTM A479 Tp316	-60°+230°
BALL	ASTM A182 F316	-60°+230°
STEM SEALS	PTFE	-196°+230°
	GRAPHITE	-
BALL SEATS	RPTFE	-196°+230°
	PEEK	-50°+250°
	NYLON	-40°+90°
	DEVLON	-40°+150°
	METAL-TO-METAL	-60°+230°
O-RING	NBR	-30°+100°
	FKM	-40°+200°
	EPDM	-50°+150°
	MVQ	-50°+150°
STUD/NUT	ASTM A193 B7/Gr. 2H	
	ASTM A193 B8/Gr. 8	
	ASTM A320 L7/Gr. 7	

PROVISIONS

API-6D ANSI B16.34 Specification for pipeline valves
 API 598 Valve inspection and test
 ANSI B.16.34 Steel valves Flanged and butt welding ends
 ANSI B16.5 Steel pipe flanges and flanged fittings
 ANSI B16.10 Face to face and end to end dimensions of ferrous valves
 ASTM American society for testing materials
 BS 6755 Testing of valves
 NACE MR-01-75 Sulfide stress cracking resistant mettalic materials for oil field equipment
 UNI EN ISO 9001 quality system
 DIN/ISO 5211 for mounting
 BS-5351 steel ball valves for the petroleum, petrochemical and allied industries

+ SBF1500

2-WAY HIGH PRESSURE BALL VALVES

www.gemels.it

SBF 1500 FB

Standard

TYPE	PN	INCH	ØLW	B	C RF	C RTJ	ØG	H	ØR	ØS	T	ISO5211
SBF 1500	25 Mpa	1/2	13	60,5	216	216	121	110	36	M5	15	F03
SBF 1500	25 Mpa	3/4	19	65	229	229	130	120	50	M6	15	F05
SBF 1500	25 Mpa	1	25	74,5	254	254	149	120	50	M6	15	F05
SBF 1500	25 Mpa	1 1/4	32	79,5	279	279	159	300	70	M8	15	F07
SBF 1500	25 Mpa	1 1/2	38	89	305	305	178	300	70	M8	15	F07
SBF 1500	25 Mpa	2	49	108	368	371	216	300	102	M10	15	F10
SBF 1500	25 Mpa	2 1/2	62	122	419	422	244	600	102	M10	15	F10
SBF 1500	25 Mpa	3	74	133,5	470	473	267	600	102	M10	15	F10
SBF 1500	25 Mpa	4	100	155,5	546	549	311	600	125	M12	17	F12
SBF 1500	25 Mpa	6	144	197	705	711	394	-	125	M12	17	F12

SBF 1500 RB

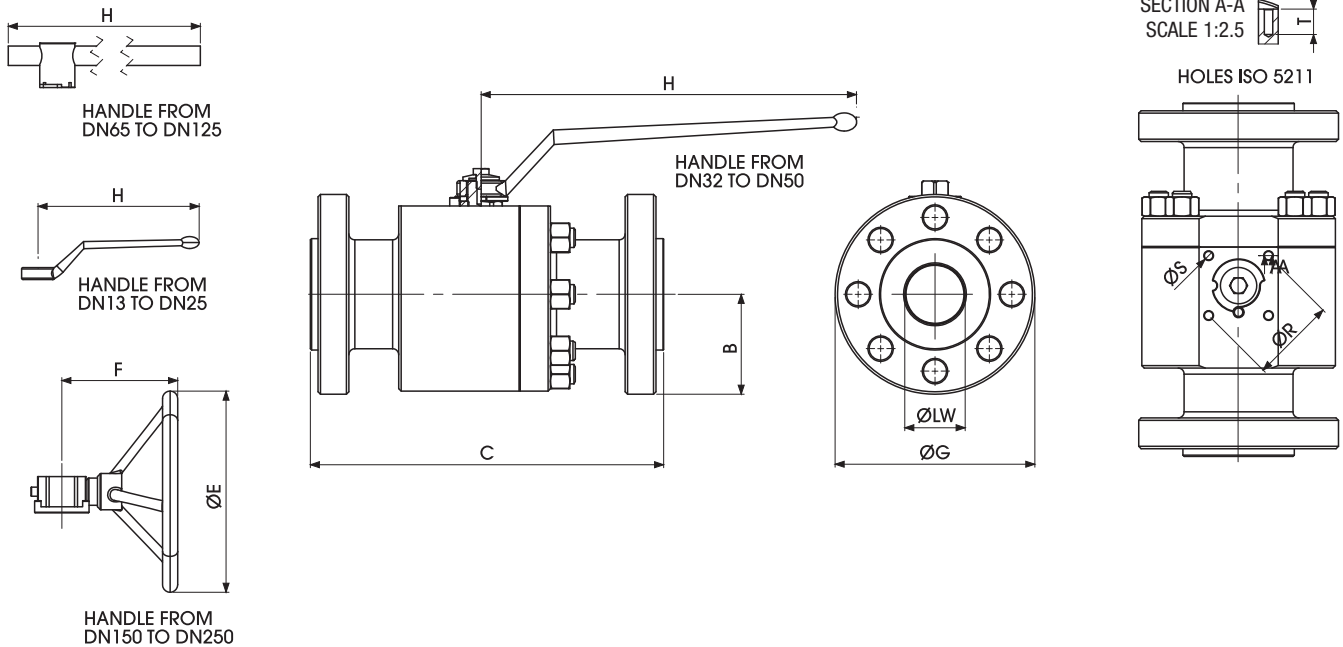
Standard

TYPE	PN	INCH	ØLW	B	C RF	C RTJ	ØG	H	ØR	ØS	T	ISO5211
SBF 1500	25 Mpa	3/4x1/2	13	65	254	254	130	120	50	M6	15	F05
SBF 1500	25 Mpa	1x3/4	19	74,5	279	279	149	120	50	M6	15	F05
SBF 1500	25 Mpa	1 1/4x1	25	79,5	292	292	159	300	50	M6	15	F05
SBF 1500	25 Mpa	1 1/2x1 1/4	32	89	305	305	178	300	70	M8	15	F07
SBF 1500	25 Mpa	2x1 1/2	38	108	368	371	216	300	70	M8	15	F07
SBF 1500	25 Mpa	2 1/2x2	49	122	419	422	244	600	102	M10	15	F10
SBF 1500	25 Mpa	3x2 1/2	62	133,5	470	473	267	600	102	M10	15	F10
SBF 1500	25 Mpa	4x3	74	155,5	546	549	311	600	102	M10	15	F10
SBF 1500	25 Mpa	6x4	100	197	705	711	394	-	125	M12	17	F12
SBF 1500	25 Mpa	8x6	144	241,5	832	841	483	-	125	M12	17	F12

+ SBF2500

2-WAY HIGH PRESSURE BALL VALVES

Specialist in Ball Valves



SPLIT BODY ANSI2500 PN420 FULL BORE

COMPONENTS	MATERIAL	MIN/MAX TEMP. (°C)
BODY AND FLANGE	ASTM A105	-20°+120°
	ASTM A105N	-29°+120°
	ASTM A182 F316	-60°+230°
	ASTM A350 LF2	-40°+100°
STEM	ASTM A479 Tp316	-60°+230°
BALL	ASTM A182 F316	-60°+230°
STEM SEALS	PTFE	-196°+230°
	GRAPHITE	-
BALL SEATS	RPTFE	-196°+230°
	PEEK	-50°+250°
	NYLON	-40°+90°
	DEVLON	-40°+150°
	METAL-TO-METAL	-60°+230°
O-RING	NBR	-30°+100°
	FKM	-40°+200°
	EPDM	-50°+150°
	MVQ	-50°+150°
STUD/NUT	ASTM A193 B7/Gr. 2H	
	ASTM A193 B8/Gr. 8	
	ASTM A320 L7/Gr. 7	

PROVISIONS

API-6D ANSI B16.34 Specification for pipeline valves
 API 598 Valve inspection and test
 ANSI B.16.34 Steel valves Flanged and butt welding ends
 ANSI B16.5 Steel pipe flanges and flanged fittings
 ANSI B16.10 Face to face and end to end dimensions of ferrous valves
 ASTM American society for testing materials
 BS 6755 Testing of valves
 NACE MR-01-75 Sulfide stress cracking resistant mettalic materials for oil field equipment
 UNI EN ISO 9001 quality system
 DIN/ISO 5211 for mounting
 BS-5351 steel ball valves for the petroleum, petrochemical and allied industries

+ SBF2500

2-WAY HIGH PRESSURE BALL VALVES

www.gemels.it

SBF 2500 FB

Standard

TYPE	PN	INCH	ØLW	B	C RF	C RTJ	ØG	H	R	S	T	ISO5211
SBF 2500	42 Mpa	1/2	13	66,5	264	264	133	110	36	M5	15	F03
SBF 2500	42 Mpa	3/4	19	70	273	273	140	120	50	M6	15	F05
SBF 2500	42 Mpa	1	25	79,5	308	308	159	120	50	M6	15	F05
SBF 2500	42 Mpa	1 1/4	32	92	356	356	184	300	70	M8	15	F07
SBF 2500	42 Mpa	1 1/2	38	101,5	387	387	203	300	70	M8	15	F07
SBF 2500	42 Mpa	2	42	117,5	451	454	235	300	102	M10	15	F10
SBF 2500	42 Mpa	2 1/2	52	133,5	508	511	267	600	102	M10	15	F10
SBF 2500	42 Mpa	3	62	152,5	578	584	305	600	102	M10	15	F10
SBF 2500	42 Mpa	4	87	178	673	683	356	600	125	M12	17	F12
SBF 2500	42 Mpa	6	131	241,5	914	927	483	-	125	M12	17	F12

SBF 2500 RB

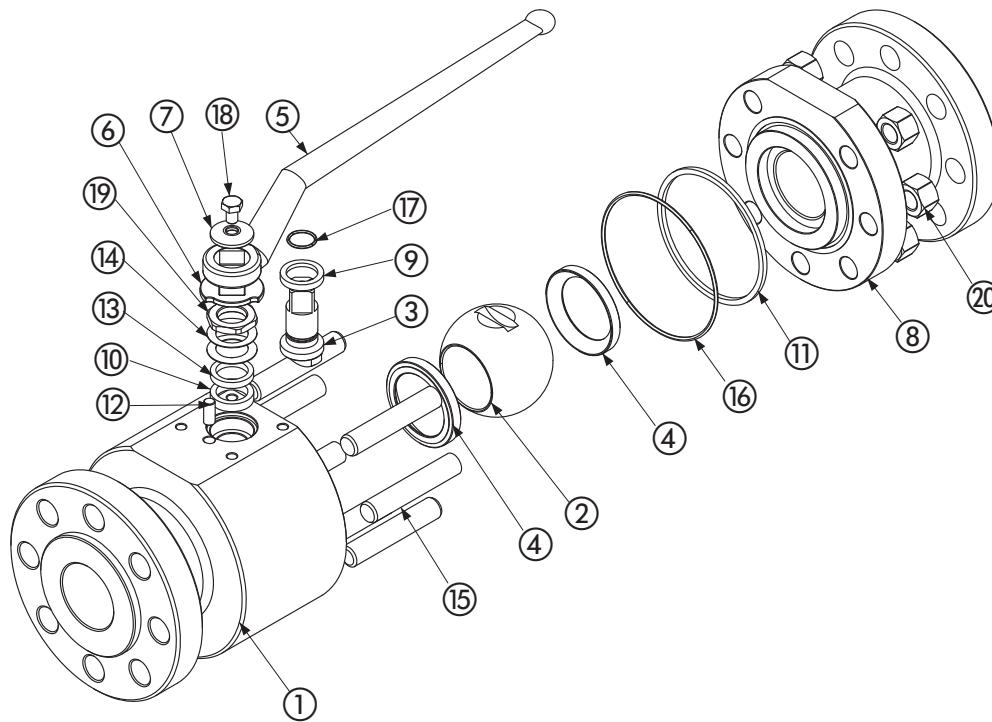
Standard

TYPE	PN	INCH	ØLW	B	C RF	C RTJ	ØG	H	R	S	T	ISO5211
SBF 2500	42 Mpa	3/4 x 1/2	13	70	273	273	140	120	50	M6	15	F05
SBF 2500	42 Mpa	1 x 3/4	19	79,5	308	308	159	120	50	M6	15	F05
SBF 2500	42 Mpa	1 1/4 x 1	25	92	356	356	184	300	70	M8	15	F07
SBF 2500	42 Mpa	1 1/2 x 1 1/4	32	101,5	387	387	203	300	70	M8	15	F07
SBF 2500	42 Mpa	2 x 1 1/2	38	117,5	451	454	235	300	102	M10	15	F10
SBF 2500	42 Mpa	2 1/2 x 2	42	133,5	508	511	267	600	102	M10	15	F10
SBF 2500	42 Mpa	3 x 2 1/2	52	152,5	578	584	305	600	102	M10	15	F10
SBF 2500	42 Mpa	4 x 3	62	178	673	683	356	600	125	M12	17	F12
SBF 2500	42 Mpa	6 x 4	87	241,5	914	927	483	-	125	M12	17	F12
SBF 2500	42 Mpa	8 x 6	131	275	1022	1038	550	-	125	M12	17	F12

+ SBF 2-WAY HIGH PRESSURE BALL VALVES

www.gemels.it

2015 - Edition 4



Carbon steel

Pos	Description	Material	Q.tà
1	Body	1,0570	1
2	Ball	1,4462	1
3	Stem	1,4462	1
4	Ball seat	PTFE	2
5	Handle	1,0116	1
6	Washer	1,4301	1
7	Washer	1,4301	1
8	Flange	1,0570	1
9	Stem ring	PTFE	1
10	Up ring	GRAPHITE	1
11	Flange ring	GRAPHITE	1
12	Spine	1,4301	1
13	Press ring	1,4301	1
14	Spring	1,4301	2
15	Bolts	ASTM A193 B7	8
16	Flange o-ring	NBR	1
17	Stem o-ring	NBR	1
18	Screw	DIN6921 A2	1
19	Nut	1,4301	1
20	Nut	ASTM A194 Gr. H2	8

Stainless steel

Pos	Description	Material	Q.tà
1	Body	1,4404	1
2	Ball	1,4462	1
3	Stem	1,4462	1
4	Ball seat	PTFE	2
5	Handle	1,4301	1
6	Washer	1,4301	1
7	Washer	1,4301	1
8	Flange	1,4404	1
9	Stem ring	PTFE	1
10	Up ring	GRAPHITE	1
11	Flange ring	GRAPHITE	1
12	Spine	1,4301	1
13	Press ring	1,4301	1
14	Spring	1,4301	2
15	Bolts	ASTM A193 B7	8
16	Flange o-ring	NBR	1
17	Stem o-ring	NBR	1
18	Screw	DIN6921 A2	1
19	Nut	1,4301	1
20	Nut	ASTM A194 Gr. H2	8

For further special requests please consult our technical/commercial service

On request

- Reduced bore
- O-Ring in FKM, EPDM, HNBR, KALREZ
- Seals in PTFE, PEEK, PA612, GEMPTFE, METAL TO METAL
- Pressure class ANSI 150-300-600 900-1500-2500
- Pneumatic and electrical actuator
- Locking device

On request

- Reduced bore
- O-Ring in FKM, EPDM, HNBR, KALREZ
- Seals in PTFE, PEEK, PA612, GEMPTFE, METAL TO METAL
- Pressure class ANSI 150-300-600 900-1500-2500
- Pneumatic and electrical actuator
- Locking device