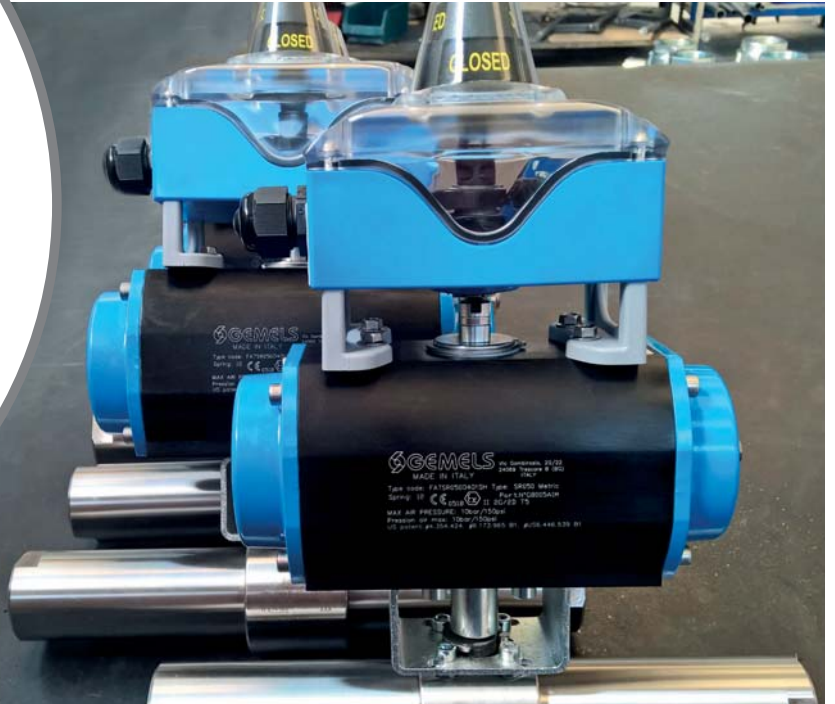


+ Limit switch

actuated valves



manual valves



Limit switch

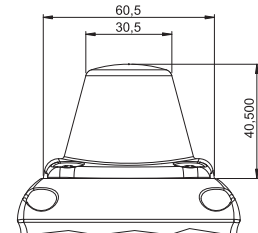
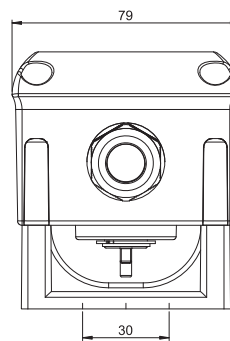
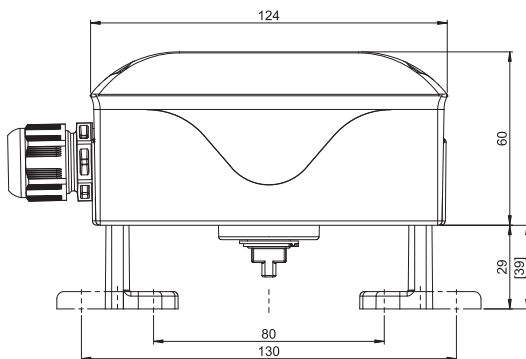


+ Actuated valves

Limit switch

Specialist in Ball Valves

- Compact and flexible limit switch box made of polyamide (PA6) with flat cover made of polycarbonate (PC)
- Adjustable polyamide mounting bracket (PA6) reinforced with 30% fiber glass for simple assembly on actuators according to VDI/VDE 3845:
Hole spacings: 80x30mm and 130x30mm
Shaft heights: 20 and 30mm
- Enclosure IP67 according to DIN EN 60529
- Cable gland M20x1,5 black (for cable Ø 6-12mm)
- Sealings EPDM and NBR, Screws AISI 304, Shaft polyamide PA6
- Application: Standard applications without explosive atmosphere.
1-4 mechanical switches or proximity sensors in V3 design,
1-3 slot type sensors,
1-2 cylindrical sensors Ø 8-18mm



3D1

ACTUATOR CODE	DESCRIPTION	HOLES	SHAPT	MODEL	CODICE
FATDA0250401SH	Actuator Double effect DA25 DN6-10-13 F03-F05	80X30	20	EPP2M01-020-3D1	FLSEPP2M01020HV
FATDA1000401SH	Actuator Double effect DA100 DN20-25 F05-F07	80X30	20	EPP2M01-020-3D1	FLSEPP2M01020HV
FATDA2000401SH	Actuator Double effect DA200 DN32-40 F05-F07	80X30	20	EPP2M01-020-3D1	FLSEPP2M01020HV
FATDA3750401SH	Actuator Double effect DA375 DN50-65 F07-F10-F12	80X30	20	EPP2M01-020-3D1	FLSEPP2M01020HV
FATDA8250401SH	Actuator Double effect DA825 DN80-100-125 F12	130X30	30	EPP2M03-020-3D1	FLSEPP2M03020HV
FATSR0250401SH	Actuator Simple effect SR25 DN6 DN10 F03-F05	80X30	20	EPP2M01-020-3D1	FLSEPP2M01020HV
FATSR0500401SH	Actuator Simple effect SR50 DN13 F05	80X30	20	EPP2M01-020-3D1	FLSEPP2M01020HV
FATSR1000401SH	Actuator Simple effect SR100 DN20-25 F05-F07	80X30	20	EPP2M01-020-3D1	FLSEPP2M01020HV
FATSR2000401SH	Actuator Simple effect SR200 DN32-40 F05-F07	80X30	20	EPP2M01-020-3D1	FLSEPP2M01020HV
FATSR3750401SH	Actuator Simple effect SR375 DN50-65 F07-F10-F12	80X30	20	EPP2M01-020-3D1	FLSEPP2M01020HV
FATSR6000401SH	Actuator Simple effect SR600 DN100 (LOW PRESSURE) F07-F12	130X30	30	EPP2M03-020-3D1	FLSEPP2M03020HV
FATSR8250401SH	Actuator Simple effect SR825 DN80-100-125 F10-F12	130X30	30	EPP2M03-020-3D1	FLSEPP2M03020HV

+ Actuated valves

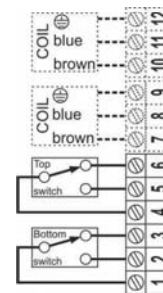
Limit switch

www.gemels.it

TECHNICAL FEATURES

Producer switch	CROUZET
Switch type	83161.3
Voltage	250V
Maximum current	16A (250V AC), 2,5A (24V DC)
Contacts	Silber (Silver / Argento)
Temperature	-20°C ... +80°C

Connection

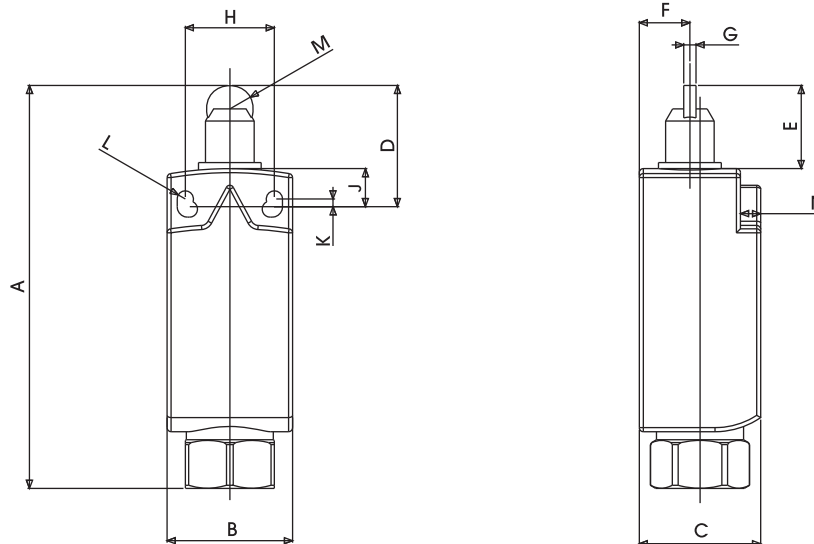
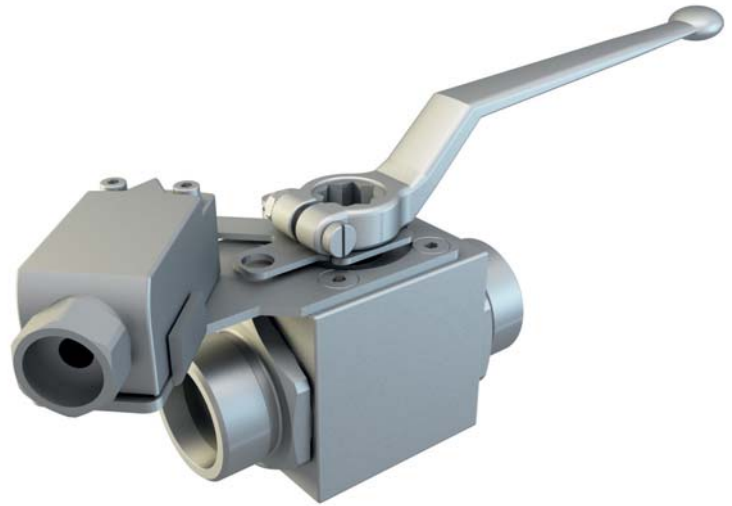


+ Manual valves

Limit switch

Specialist in Ball Valves

- Ambient air temperature:
 - operation: -25°C to +70°C
 - storage: -40°C to +70°C
- Vibration resistance: conforming to IEC 60068-2-6
- Shock resistance: conforming to IEC 60068-2-27
- Electric shock protection:
 - Class II conforming to IEC 61140 and NF C 20-030 for XCKP and XCKT
 - Class I conforming to IEC 61140 and NF C 20-030 for XCKD
- Degree of protection: IP66 and IP67 conforming to IEC 60529; IK4 conforming to EN50102 for XCKP and XCKT, IK06 conforming to EN50102 for XCKD
- Repeat accuracy: 0,1mm on the tripping points, with 1 milion operating cycles for head with end plunger
- Material: metal



LIMIT SWITCH OSISWITCH METAL

TYPE	VOLTAGE	A	B	C	D	E	F	G	H	J	K	L	M	N	WEIGHT Kg	ITEM CODE
FLSXCKDZCE02HH	AC 15 240V 3A ITH 10A	99,55	31	30	30	20,6	12,5	3	22	9,41	1,91	2	5,8	5	0,164	FLSXCKDZCE02HH

+ Manual valves

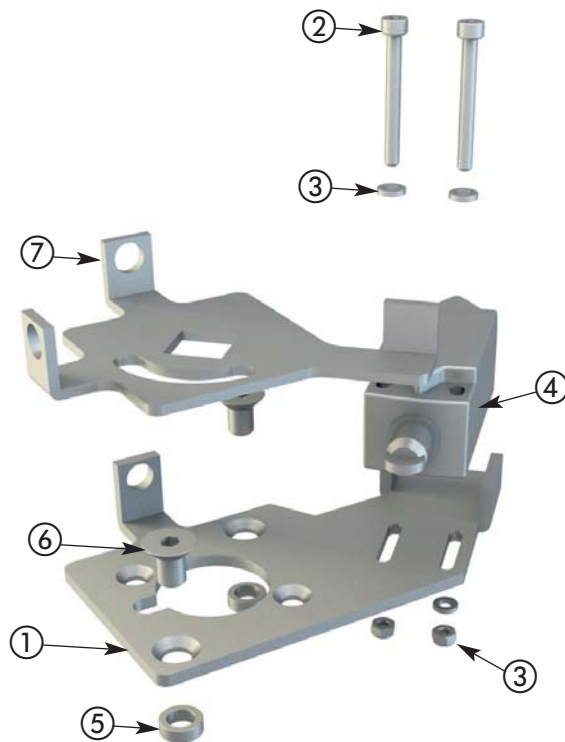
Limit switch

www.gemels.it

LIMIT SWITCH OSISWITCH METAL KITS

CODE	BALL VALVES	DN
KOM00LS6EHH	GE - GV	DN6 DN10 DN13
KOM00LS6NHH	GN	DN6 DN10 DN13
KOM00LS20EHH	GE - GV	DN20 DN25
KOM00LS20NHH	GN	DN20 DN25
KOM00LS32BHH	GB - GV	DN32 DN40 DN50
KOM00LS32NHH	GN	DN32 DN40 DN50

STAINLESS STEEL KIT



Pos	Description	Q.tà
1	Lower bracket	1
2	T.C.E.I. screw	2
3	Washer	4
4	Limit Switch Compact Metal	1
5	Nut	2
6	Screw	4
7	Top bracket	1

+ Manual valves

Limit switch

Specialist in Ball Valves

Universal, XCKD Metal

■ XCKD

with 1 cable entry
Conforming to CENELEC EN 50047

□ With head for linear movement (plunger). Mounting by the head or by the body.
XCK D



Environment characteristics

Conforming to standards	Products	IEC 60947-5-1, EN 60947-5-1, UL 508, CSA C22-2 n° 14
	Machine assemblies	IEC 60204-1, EN 60204-1
Product certifications		UL, CSA, CCC
Protective treatment	Standard version	"TC"
Ambient air temperature	Operation	- 25...+70 °C (-13...+158 °F)
	Storage	- 40...+70 °C (-40...+158 °F)
Vibration resistance	Conforming to IEC 60068-2-6	25 gn (10...500 Hz) except switch with head ZCE 24: 20 gn
Shock resistance	Conforming to IEC 60068-2-27	50 gn (11 ms) except heads ZCE08: 15 gn (11 ms) and ZCE24: 30 gn (18 ms)
Electric shock protection		Class I conforming to IEC 61140 and NF C 20-030 for XCKD
Degree of protection		IP 66 and IP 67 conforming to IEC 60529; IK 06 conforming to EN 50102 for XCKD
Repeat accuracy		0.1 mm on the tripping points, with 1 million operating cycles for head with end plunger
Cable entry or integral connector	Depending on model	Either: tapped entry for PG 11 or PG 13 conduit thread, tapped ISO M16 x 1.5 or ISO M20 x 1.5, tapped 1/2" NPT, tapped PF 1/2 (G1/2) or integral M12 connector
Materials		XCKD: Zamak® bodies and heads

Universal, XCKD-Complete Units with 1/2" NPT Cable Entry

Type of head **Plunger (mounting by the body)**

Form C (1)



Type of operator			Steel roller plunger		
------------------	--	--	----------------------	--	--

Catalog Numbers (2) (3)

<p>2-pole N/C + N/O snap action (XE2S P2151)</p>			<p>XCKD2102N12</p> <p>3,1(A)7,8(P) mm</p>		
--	--	--	---	--	--

Characteristics

Switch actuation	On end	By 30° cam		
Type of actuation				
Maximum actuation speed	0,5 m/s (1,64 ft/s)			
Minimum force or torque	For tripping	15 N (3,37 lb)	12 N (2,70 lb)	
	For positive opening	45 N (10,12 lb)	36 N (8,09 lb)	
Cable entry (3)	1 entry tapped M16 x 1.5 mm for ISO cable entry, clamping capacity 4 to 8 mm (0.16 to 0.31 in.)			

1. Form conforming to EN 50047, see page 20.

2. Switches with gold contacts or ring type connections: please consult your local sales office.

3. For an entry tapped for a PG 11 conduit thread, replace N12 in the catalog number with G11. Examples: XCKD2110N12 becomes XCKD2110G11, ZCDEN12 becomes ZCDEG11.

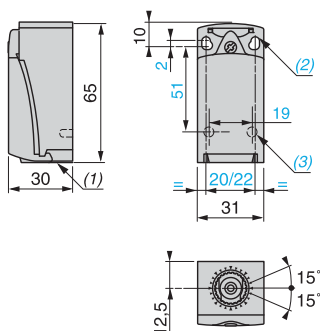
+ Manual valves

Limit switch

www.gemels.it

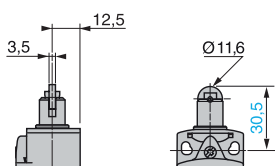
Universal, XCKD-Complete Units with 1/2" NPT Cable Entry

ZCD2• + ZCDEN12 / ZCD3• + ZCDEN12

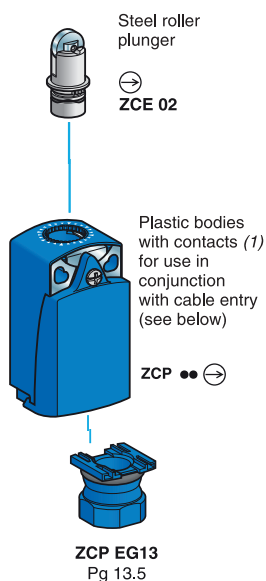


1. Tapped entry for ISO M16 x 1.5 or PG 11 conduit thread.
2. 2 elongated holes $\text{O} 4.3 \times 6.3 \text{ mm}$ (0.17 x 0.25 in.) on 22 mm (0.87 in.) centers, 2 holes $\text{O} 4.3 \text{ mm}$ (0.17 in.) on 20 mm (0.79 in.) centers.
3. 2 x $\text{O} 3$ holes for support studs, depth 4 mm (0.16 in.).
4. Mounting nut thickness 3.5 mm (0.14 in.).

ZCE02



Universal, XCKD



1. For further details, see page 70.
2. Cannot be used on bodies: ZCD21, ZCP21, ZCT21, ZCD29, ZCP29, ZCD31, ZCP31, ZCD39.ZCP39, ZCD2•M12, ZCP2•M12.

