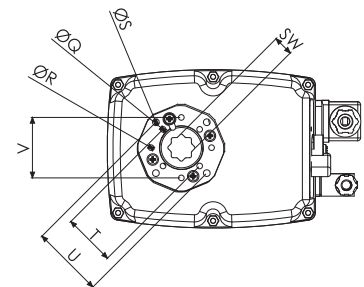
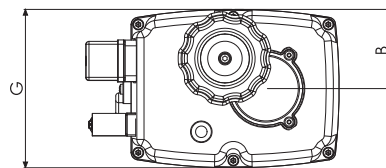
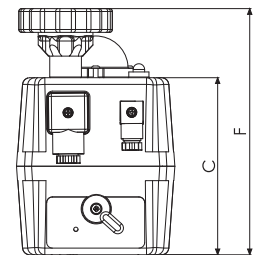
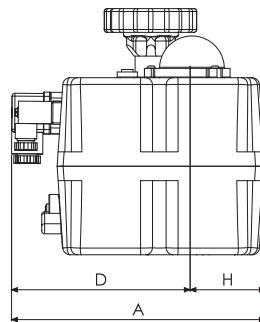


+ Electric Actuator

Specialist in Ball Valves



J3C ELECTRIC ACTUATOR



Technical data

- Housing:
Body and cover: anticorrosive polyamide
Main external shaft: stainless steel
- Fastening: stainless steel
- Gears: steel and polyamide
- Indicator: polyamide + glass filled
- Internal cams: polyamide + glass filled
- Electric motor: single phase
- Insulation: class B
- Duty range: 75%

All models options

- DPS2005 digital positioner: 0÷20mA, 4÷20mA o 0÷10V
- Digital potentiometer kit: 1K, 5K and 10K
- BSR battery fail safe kit
- 3 positions: 0° 45° 90° / 0° 90° 180°

VALVE WITH ELECTRICAL ACTUATORS

TYPE	BALL VALVES	DN
J3C-20	GE-GHP-GN	06-10
J3C-35	GE-GHP-GN-GR-SB	13

J3C ELECTRIC ACTUATOR

TYPE	VOLTAGE	ISO5211	A	B	C	D	F	G	H	Q	R	S	T	U	V	SW	Kg	ITEM CODE
J3C-L20	12 a 24 VAC/VDC	F03-F04-F05	177	55	123	126	171	110	51	M5	M5	M6	36	50	42	9 or 11 or 14	1,6	FAEJ3L2025HH
J3C-H20	85 to 240 VAC/VDC	F03-F04-F05	177	55	123	126	171	110	51	M5	M5	M6	36	50	42	9 or 11 or 14	1,6	FAEJ3H2025HH
J3C-L35	12 a 24 VAC/VDC	F03-F04-F05	177	55	123	126	171	110	51	M5	M5	M6	36	50	42	9 or 11 or 14	1,8	FAEJ3L3540HH
J3C-H35	85 to 240 VAC/VDC	F03-F04-F05	177	55	123	126	171	110	51	M5	M5	M6	36	50	42	9 or 11 or 14	1,8	FAEJ3H3540HH

	J3C-L-20	J3C-H-20	J3C-L-35	J3C-H-35
Voltage	12 a 24 VAC/VDC -0/+5%	85 to 240 VAC/VDC	12 a 24 VAC/VDC -0/+5%	85 to 240 VAC/VDC
Operation time unload	12 sec	11 sec	12 sec	11 sec
Maximum torque break	25N/m	25N/m	38N/m	38N/m
Maximum operational torque	20N/m	20N/m	35N/m	35N/m
Duty rating %	75,00%	75,00%	75,00%	75,00%
Working angle	90° TO 270°	90° TO 270°	90° TO 270°	90° TO 270°
Limit switch	4 SPDT micro	4 SPDT micro	4 SPDT micro	4 SPDT micro
Heater	3,5W	3,5W	3,5W	3,5W
Plugs	ISO440& C192	ISO440& C192	ISO440& C192	ISO440& C192
IP rating	IP-67	IP-67	IP-67	IP-67
Temperature	-20°C+70°C	-20°C+70°C	-20°C+70°C	-20°C+70°C
Consumption	24 VAC 787,5 mA 18,9W	110 VAC 168 mA 18,5W	24 VAC 1071 mA 25,7W	110 VAC 231 mA 25,4W
at maximum torque +/-5%	24 VDC 913,5 mA - 21,9W	220 VDC 84 mA - 18,5W	24 VDC 1491 mA - 35,8W	220 VDC 115,5 mA - 26,6W

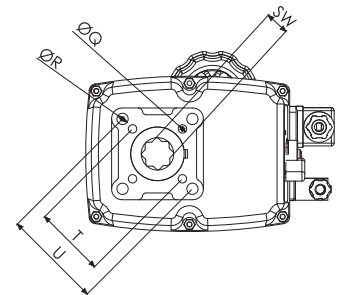
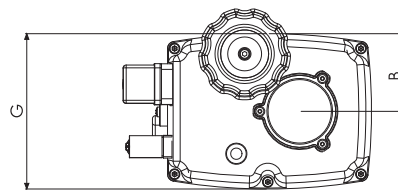
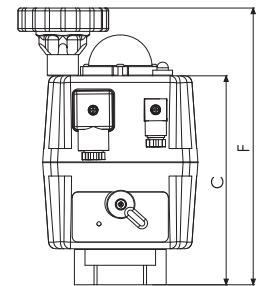
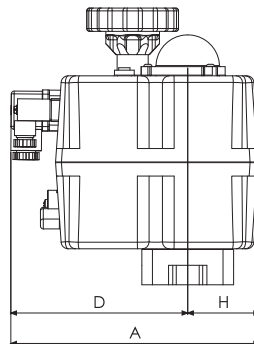
"The company reserves the right to operate dimensional changes without prior notice".



Actuators

+ Electric Actuator

Specialist in Ball Valves



Technical data

- Housing:
Body and cover: anticorrosive polyamide
Main external shaft: stainless steel
- Fastening: stainless steel
- Gears: steel and polyamide
- Indicator: polyamide + glass filled
- Internal cams: polyamide + glass filled
- Electric motor: single phase
- Insulation: class B
- Service S4
- Duty range: 75%

All models options

- DPS2005 digital positioner: 0÷20mA, 4÷20mA o 0÷10V
- Digital potentiometer kit: 1K, 5K and 10K
- BSR battery fail safe kit
- 3 positions: 0° 45° 90° / 0° 90° 180°

VALVE WITH ELECTRICAL ACTUATORS

TYPE	BALL VALVES	DN
J3C-55	GE-GHP-GN-GR-SB	20
J3C-85	GE-GHP-GN-GR-SB	25

J3C ELECTRIC ACTUATOR

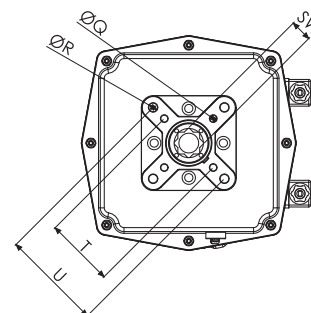
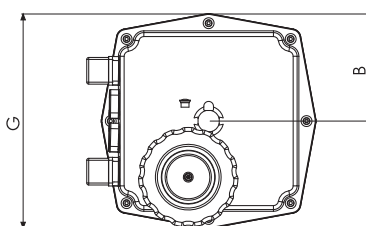
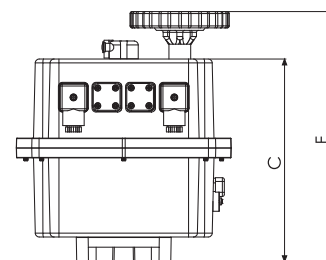
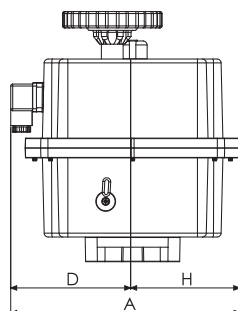
TYPE	VOLTAGE	ISO5211	A	B	C	D	F	G	H	Q	R	S	T	U	V	SW	Kg	ITEM CODE
J3C-L55	12 a 24 VAC/VDC	F05-F07	177	55	148	126	196	110	51	M5	M6	-	50	70	-	11 or 14 or 17	3	FAEJ3L5560HH
J3C-H55	85 to 240 VAC/VDC	F05-F07	177	55	148	126	196	110	51	M5	M6	-	50	70	-	11 or 14 or 17	3	FAEJ3H5560HH
J3C-L85	12 a 24 VAC/VDC	F05-F07	177	55	148	126	196	110	51	M5	M6	-	50	70	-	11 or 14 or 17	3	FAEJ3L8590HH
J3C-H85	85 to 240 VAC/VDC	F05-F07	177	55	148	126	196	110	51	M5	M6	-	50	70	-	11 or 14 or 17	3	FAEJ3H8590HH

	J3C-L-55	J3C-H-55	J3C-L-85	J3C-H-85
Voltage	12 a 24 VAC/VDC -0/+5%	85 to 240 VAC/VDC	12 a 24 VAC/VDC -0/+5%	85 to 240 VAC/VDC
Operation time unload	16 sec	14 sec	35 sec	30 sec
Maximum torque break	60N/m	60N/m	90N/m	90N/m
Maximum operational torque	55N/m	55N/m	85N/m	85N/m
Duty rating %	75,00%	75,00%	75,00%	75,00%
Working angle	90° TO 270°	90° TO 270°	90° TO 270°	90° TO 270°
Limit switch	4 SPDT micro	4 SPDT micro	4 SPDT micro	4 SPDT micro
Heater	3,5W	3,5W	3,5W	3,5W
Plugs	ISO440& C192	ISO440& C192	ISO440& C192	ISO440& C192
IP rating	IP-67	IP-67	IP-67	IP-67
Temperature	-20°C+70°C	-20°C+70°C	-20°C+70°C	-20°C+70°C
Consumption	24 VAC 1239 mA 29,7W	110 VAC 231 mA 25,4W	24 VAC 934,5 mA 22,4W	110 VAC 168 mA 18,5W
at maximum torque +/-5%	24 VDC 1428 mA - 34,3W	220 VDC 105 mA - 23,1W	24 VDC 1176 mA - 28,2W	220 VDC 84 mA - 18,5W

"The company reserves the right to operate dimensional changes without prior notice".

+ Electric Actuator

www.gemels.it



Technical data

- Housing:
 - Body and cover: anticorrosive polyamide
 - Main external shaft: stainless steel
- Fastening: stainless steel
- Gears: steel and polyamide
- Indicator: polyamide + glass filled
- Internal cams: polyamide + glass filled
- Electric motor: single phase
- Insulation: class B
- Service S4
- Duty range: 75%

All models options

- DPS2005 digital positioner: 0÷20mA, 4÷20mA o 0÷10V
- Digital potentiometer kit: 1K, 5K and 10K
- BSR battery fail safe kit
- 3 positions: 0° 45° 90° / 0° 90° 180°

VALVE WITH ELECTRICAL ACTUATORS

TYPE	BALL VALVES	DN
J3-140	GB-GHP-GN-GR-SB	32-40
J3-300	GB-GHP-GN-GR-SB	50

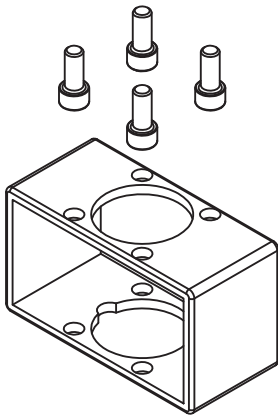
J3C ELECTRIC ACTUATOR

TYPE	VOLTAGE	ISO5211	A	B	C	D	F	G	H	Q	R	S	T	U	V	SW	Kg	ITEM CODE
J3-L140	12 a 48 VAC/VDC	F07-F10	235	107	205	128	254	214	107	M6	M8	-	70	102	-	17 or 22	5,2	FAEJ3L140170HH
J3-H140	80 to 240 VAC/VDC	F07-F10	235	107	205	128	254	214	107	M6	M8	-	70	102	-	17 or 22	5,2	FAEJ3H140170HH
J3-L300	12 a 48 VAC/VDC	F07-F10	235	107	205	128	254	214	107	M6	M8	-	70	102	-	17 or 22	5,2	FAEJ3L300350HH
J3-H300	80 to 240 VAC/VDC	F07-F10	235	107	205	128	254	214	107	M6	M8	-	70	102	-	17 or 22	5,2	FAEJ3H300350HH

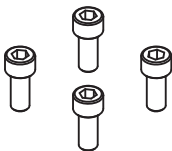
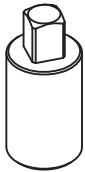
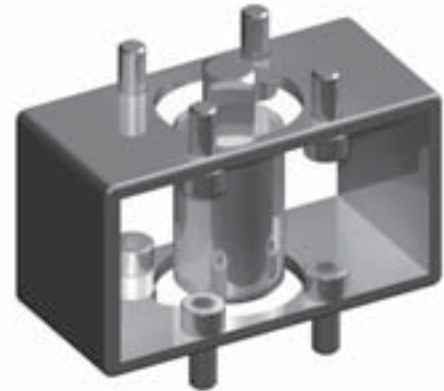
	J2-L140	J2-H140	J2-L300	J2-H300
Voltage	12 a 48 VAC/VDC -0/+5%	80 to 240 VAC/VDC	12 to 48 VAC/VDC -0/+5%	80 to 240 VAC/VDC
Operation time unload	33 sec	33 sec	60 sec	60 sec
Maximum torque break	140N/m	140N/m	300N/m	300N/m
Maximum operational torque	170N/m	170N/m	350N/m	350N/m
Duty rating %	75,00%	75,00%	75,00%	75,00%
Working angle	90° 180° 270°	90° 180° 270°	90° 180° 270°	90° TO 270°
Limit switch	4 SPDT micro	4 SPDT micro	4 SPDT micro	4 SPDT micro
Heater	4W	4W	4W	4W
Plugs	ISO440& C192	ISO440& C192	ISO440& C192	ISO440& C192
IP rating	IP-65	IP-65	IP-65	IP-65
Temperature	-20°C+70°C	-20°C+70°C	-20°C+70°C	-20°C+70°C
Consumption at maximum torque +/-5%	24 VAC 3600 mA 86,4W 24 VDC 3000 mA - 72W 48 VAC 1300 mA 62,4W 48 VDC 1000 mA 48W	110 VAC 700 mA 77W 220 VDC 230 mA - 50,6W 48 VAC 1300 mA 62,4W 48 VDC 1000 mA 48W	24 VAC 3600 mA 86,4W 24 VDC 3000 mA - 72W 220 VDC 230 mA - 50,6W	110 VAC 700 mA 77W

+ Electric Actuator

Specialist in Ball Valves



KITS WASHER
 ONLY FOR GN-GB VALVES -KIT ACTUATOR
 C0034406H FOR DN6-DN10-DN13-DN20-DN25-DN32
 C0034306H FOR DN40-DN50



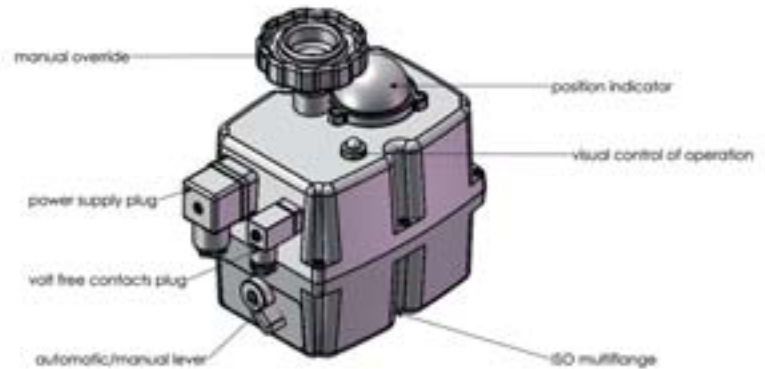
SR ACTUATORS KITS

TYPE	BALL VALVES	DN	MATERIAL	ISO5211	WHEIGHT Kg	ITEM CODE
AK65	SB	65-80	CARBON STEEL	F05 F07-F05	0,74	KOC00AK651X
AK32	SB	32-40	CARBON STEEL	F05 F07-F05	0,60	KOC00AK321X
AK40	GB-GHP-GN-GR-SB	32-40	CARBON STEEL	F05 F07-F05	0,67	KOC00AK401X
AK20	GE-GB-GHP-GN-GR-SB	20-25	CARBON STEEL	F05 F07-F05	0,52	KOC00AK201X
AK6	GE-GHP-GN-GR-SB	06-10-13	CARBON STEEL	F03-F03	0,25	KOC00AK61X
AK13	GE-GHP-GN-GR	13	CARBON STEEL	F03-F05	0,31	KOC00AK131X
AK100	GR-SB	100-125	CARBON STEEL	F10 F12-F12	2,05	KOC00AK1001X
AK50	GB-GHP-GN-GR-SB	50	CARBON STEEL	F05 F07-F05	0,71	KOC00AK501X
AK6S	GN	06-10-13	CARBON STEEL	F03 F05-F03 F05	0,30	KOC00AK6S1X

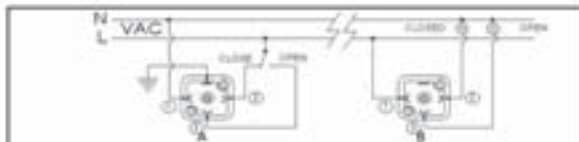
+ Electric Actuator

Technical data

- The LED status Light provides visual communication between the actuator and the user
- The current operational status is shown by either solidly lit, or different flashing sequences of the LED light:
 - TIME 200 mSec X each digit of the configuration
 - Configuration
 - digit 1 = LED on
 - digit 0 = LED off
- The configuration is a repetitive sequence of 4 columns of 4 digits

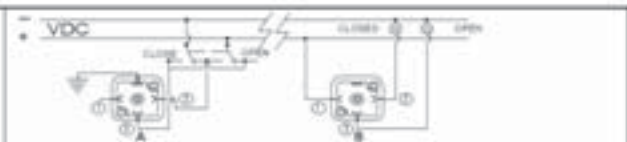


EXTERNAL ELECTRIC WIRING ON-OFF

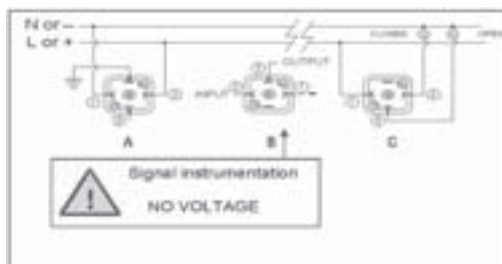


- A = power supply plug
VAC 3 WIRES (grey plug)
PIN 1 = Neutral + PIN 2= Phase = Close
PIN 1 = Neutral + PIN 3 = Phase = Open
- B = Volt free contacts plug
PIN 1 PIN 2 = Closed
PIN 1 PIN 3 = Open

EXTERNAL ELECTRIC WIRING ON-OFF



- A = power supply plug
VAC 3 WIRES (grey plug)
PIN 1 = Neutral + PIN 2= Phase = Close
PIN 1 = Neutral + PIN 3 = Phase = Open
- B = Volt free contacts plug
PIN 1 PIN 2 = Closed
PIN 1 PIN 3 = Open



UPON REQUEST

- EXTERNAL ELECTRIC WIRING POSITIONER
 - A = Power supply plug
A = VAC 2 WIRES (grey plug)
PIN 1 = neutral or (-) + PIN 2 or (+) = Power supply plug
 - B = Signal instrumentation
B = input signal: 4/20mA or 0/10V
output signal: 4/20mA or 0/10V
PIN 1 = (-) Negative + PIN 2 = (+) positive = input signal
PIN 1 = (-) Negative + PIN 3 = (+) positive = output signal
 - C = Volt free contacts plug
C = PIN 1 / PIN 2 = closed
PIN 1 / PIN 3 = open

FLASHING LED	TIME	CONFIGURATION
Actuator without power being supplied	100%	0000 0000 0000 0000
Actuator with power being supplied	100%	1111 1111 1111 1111
Actuator with torque limiter activated	200 mSeg	1010 1010 1010 1010
Actuator without power working with the BSR system Max 3 minutes	200 mSeg	1000 0000 0000 0000
Actuator in MANUAL mode	200 mSeg	1111 0111 1000 0000
Actuator in MANUAL mode but with an internal cam operating an internal switch	200 mSeg	1110 1111 1111 1110
Positioner malfunction	200 mSeg	1101 1011 0000 0000
Battery protection. Danger the battery needs recharging BSP blocked	200 mSeg	1010 1000 0000 0000

