

# EFBE-Series

## Enerpac Flat Bar Cutters

## Sell Sheet

The Electric Flat Bar Cutters enhance workplace safety by replacing unsafe cutting methods with a precise, controlled cutting solution. The Cutters are perfect for use in industrial manufacturing facilities as well as steel and metal fabrication shops.

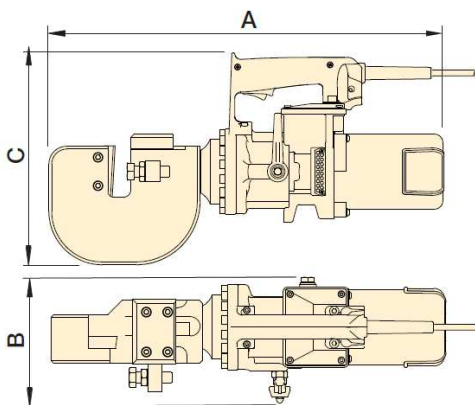
### FEATURES & BENEFITS:

#### Productivity

- Cut through high-tensile flat bar in seconds
- Highly durable, long-lasting blades offer increased longevity and less down time

#### Safety

- Controlled cutting process enhances operator safety
- Minimal spark risk compared to torching, grinding and sawing methods



Max. Material Dimensions* (mm)		Power Specifications				Model Number	Maximum Material Tensile Strength* (daN/mm <sup>2</sup> )	Maximum Material Hardness* (HRc)	Maximum Cutting Force (tons)	Cord Length (mm)	Dimensions (mm)			Wt. (kg)
Height	Width	Volts	Hz	Amps	Watts						A	B	C	
50	17	120	60	11,0	1300	EFBE5017B	45	33	29,8	1829	483	175	272	21
50	17	230	50	6,8	1400	EFBE5017E	45	33	29,8	3048	483	175	272	21
70	15	120	60	11,0	1300	EFBE7015B	45	33	29,8	1829	555	175	298	30
70	15	230	50	6,8	1400	EFBE7015E	45	33	29,8	3048	555	175	298	30

\* Maximum material properties indicated refer to the material to be cut.

# EFBE-Series

## Enerpac Flat Bar Cutters

### KEY INDUSTRIES & APPLICATIONS:

#### Steel & Aluminum Fabrication




- Steel & metal shops produce frames, braces, supports, plates, and straps for residential & commercial construction
- Speed of the cut and lack of sparks set the EFBE apart from angle grinders & saws

#### Ornamental Iron & Steel Shops

- The 2.75" max height and 0.67" max width of the Flat Bar Cutters enable these cutters to be used on a variety of applications

### ENERPAC PORTFOLIO COMPARISON:

The Enerpac Flat Bar Cutter is the only tool in the Enerpac portfolio designed specifically for cutting Flat Bar of 70 mm max height and 17 mm max width. The geometry of the blade and head make the EFBE Cutters the best choice for cutting flat and rectangular bar.

			
	<b>Enerpac Flat Bar Cutter</b>	<b>Enerpac Bar Cutter</b>	<b>Enerpac Cutterheads</b>
Blade Style	Rectangular Shear Blades	Precision Shear Blades	Guillotine Blades

### COMPETITION & ALTERNATIVE SOLUTIONS:

			
	<b>Angle Grinder or Saw</b>	<b>Enerpac Flat Bar Cutter EFBE5017B &amp; EFBE5017E</b>	<b>Enerpac Flat Bar Cutter EFBE7015B &amp; EFBE7015E</b>
Range	Large	50 mm x 17 mm (H x W)	70 mm x 15 mm (H x W)
Speed	Slow	Very Fast	Very Fast
Cutter Style	Rotating Blade	Rectangular Shear Blades	Rectangular Shear Blades
Power Source	Gas, electric, battery	Electric – 110V or 220V	Electric – 110V or 220V
Pros & Cons	+ Versatile tool + Portable - Sparks - Unsafe blade failures - Slower speed	+ Cutting speed + Portable + Blade life - Costly	+ Cutting speed + Portable + Blade life - Costly