

# ECCE-Series

## Enerpac Chain Cutters

Sell Sheet

The Enerpac Chain Cutters are the simple solution for cutting high-strength industrial chain. The Cutter easily cuts through grade 80 chain in the mining, material handling, oil & gas, marine, and chain manufacturing industries.

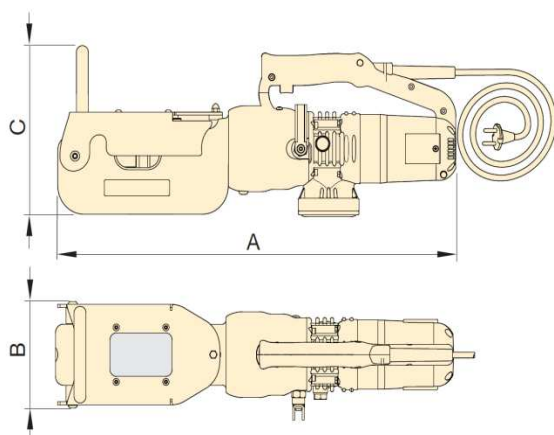
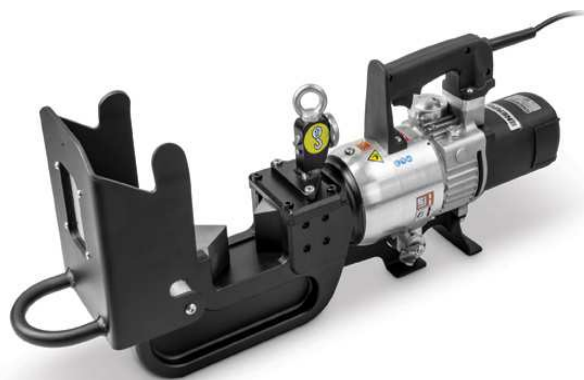
### FEATURES & BENEFITS:

#### Productivity

- Quickly cut through heavy-duty chain links with minimal effort
- Highly durable blades outlast angle grinder or saw blades

#### Safety

- Controlled cutting process behind a protective shield enhances safety
- Minimal spark risk compared to torching, grinding and sawing methods
- Cutters produce minimal vibration, helping prevent HAVS (Hand Arm Vibration Syndrome)



Max. Material Diameter* (mm)		Power Specifications				Model Number	Maximum Material Hardness* (HRc)	Maximum Cutting Force (tons)	Dimensions (mm)			Cord Length (mm)	Wt. (kg)	Replacement Blade Kit Number
Grade 40	Grade 80	Volts	Hz	Amps	Watts				A	B	C			
32	25**	120	60	11,0	1300	ECCE32B	46	52,9	700	192	321	1829	48	ECCE3201K
32	25**	230	50	6,8	1400	ECCE32E	46	52,9	700	192	321	3048	48	ECCE3201K

\* Cutting larger chains or those of a grade higher than those recommended will result in increased wear, and may damage the tool. The risk of this may be minimized by cutting one link side at a time. See instruction manual for more information.

\*\* One-Inch grade 80 chain must be cut one side of the link at a time.

# ECCE-Series

## Enerpac Chain Cutters

### KEY INDUSTRIES & APPLICATIONS:





#### Load Securement & Trailer Chain:

- Grade 70 to 43 is most common
- Trailer manufacturers & maintenance shops use grinders and saws today
- ECCE-Series is safer & faster

#### Grade 80 Overhead Lifting:

- Rigging Contractors use a significant amount of chain of overhead lifting & transportation
  - ECCE-Series cuts Grade 80 quickly & safely
- Be aware that Grade 100 & 120 Chain will decrease the life of the tool and blades*

### COMPETITION & ALTERNATIVE SOLUTIONS:

	 Enerpac Chain Cutter	 Angle Grinder or Saw	 Torch	 Manual Cutter
Sparks/Flame	Minimal to None	Significant # of Sparks	Flame	Minimal to None
Weight	48 kg	2 - 10 kg	2 kg	1 – 20 kg
Cutting Speed	Fastest	Slow	Slow	Fast
Manual Effort	None	Medium	Low	Required for Cut
Power Source	Electric	Air, Electric, Battery	Gas	Manual
Pros & Cons	+ Minimal sparks/flame + Protective shield + Fastest Cut - Cost - Heavy	+ Versatile tool + Low cost - Blades unsafe - Sparks	+ Versatile tool + Lower cost - Heat blowback - Slow cutting speed - Flame area of effect	+ Fast cut - Limited range